



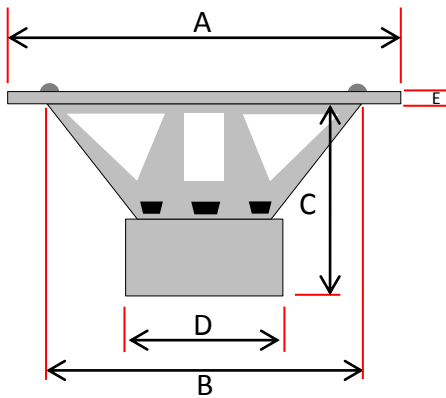
TECHNICAL SPECIFICATIONS

	GZCK 200SPL
Cone (Dome)	Fibre reinforced pressed paper cone
Cone color	Black matt
Surround	High X-Max foam W-Surround
Dustcap	Pressed paper with printed logo
Basket / Frame material	Steel
Basket / Frame color	Yellow
Terminal	Solder terminal
Magnet	1 x Ferrite 30 Oz 120 x 18 mm (4.72" x 0.71")
Voice coil	38 mm / 1.5" High temperature copper-clad aluminum round wire voice coil
Voice coil former	Kapton
RE	3.3 Ohm
SPL	93 dB
FS	54.3 Hz
QMS	9.61
QES	0.39
QTS	0.38
VAS	31.2 L / 1.1 cu.ft
MMS	18.9 Gr
BL	7.4 N/A
RMS	0.7 kg/s
CMS	0.45 mm/N
LE	0.3 mH
Linear excursion	+/- 4 mm / 0.157"
X max	8 mm / 0.31"
Frequency response	50 Hz – 6 kHz
Powerhandling	150 / 300 W
Outer diameter	209 mm / 8.23"
Mounting diameter	183 mm / 7.2"
Mounting depth	86 mm / 3.39"



TECHNICAL SPECIFICATIONS

- High power midwoofer
- Soft foam surround for high excursion
- Flexible Connex spider for low resonance frequency
- High grade ferrite magnet for high efficiency
- Extremely stiff, highly damped pressed paper cone for wide frequency range



A	209 mm / 8.23"
B	183 mm / 7.2"
C	86 mm / 3.39"
D	120 mm / 4.72"
E	5 mm / 0.2"

