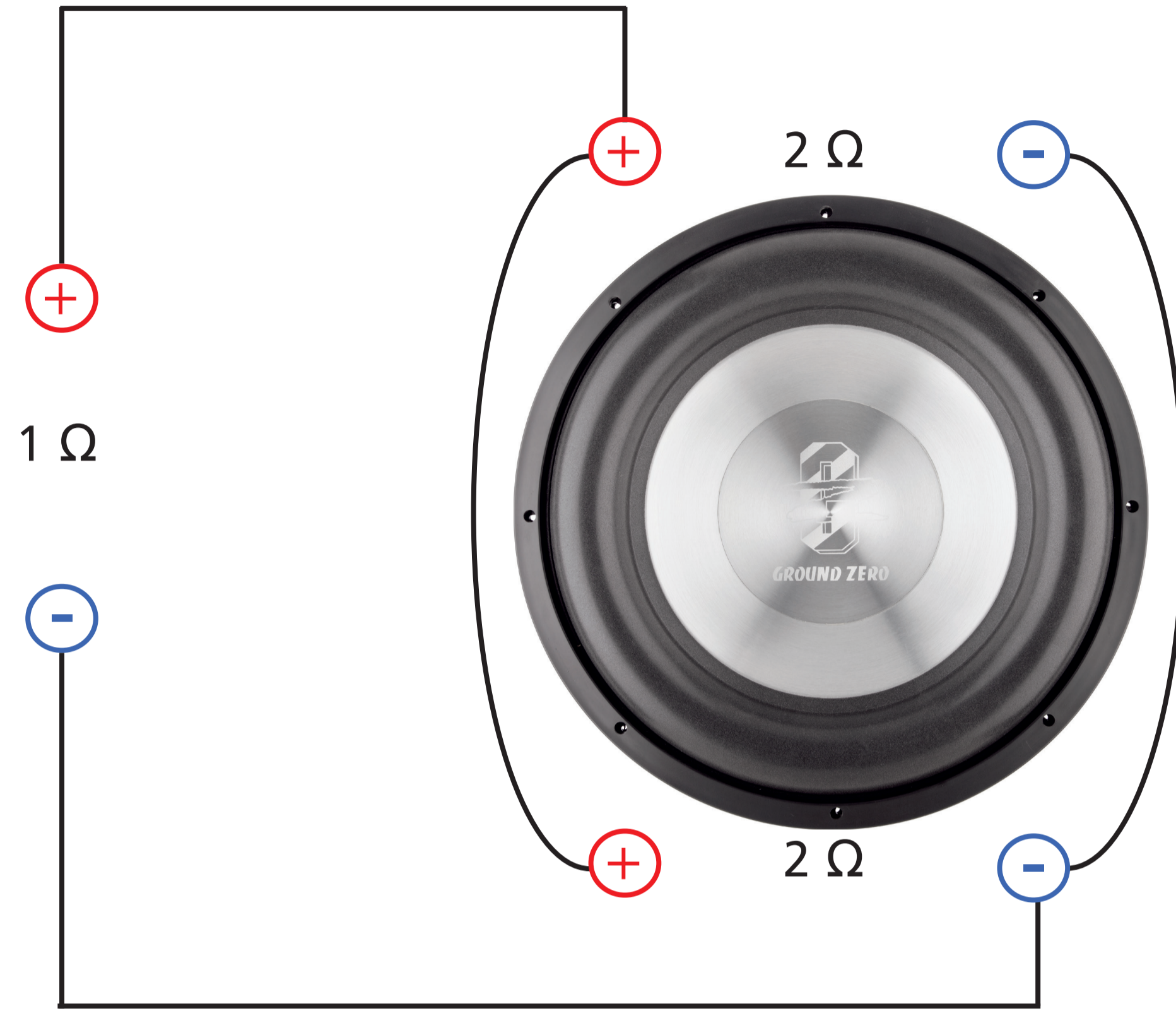


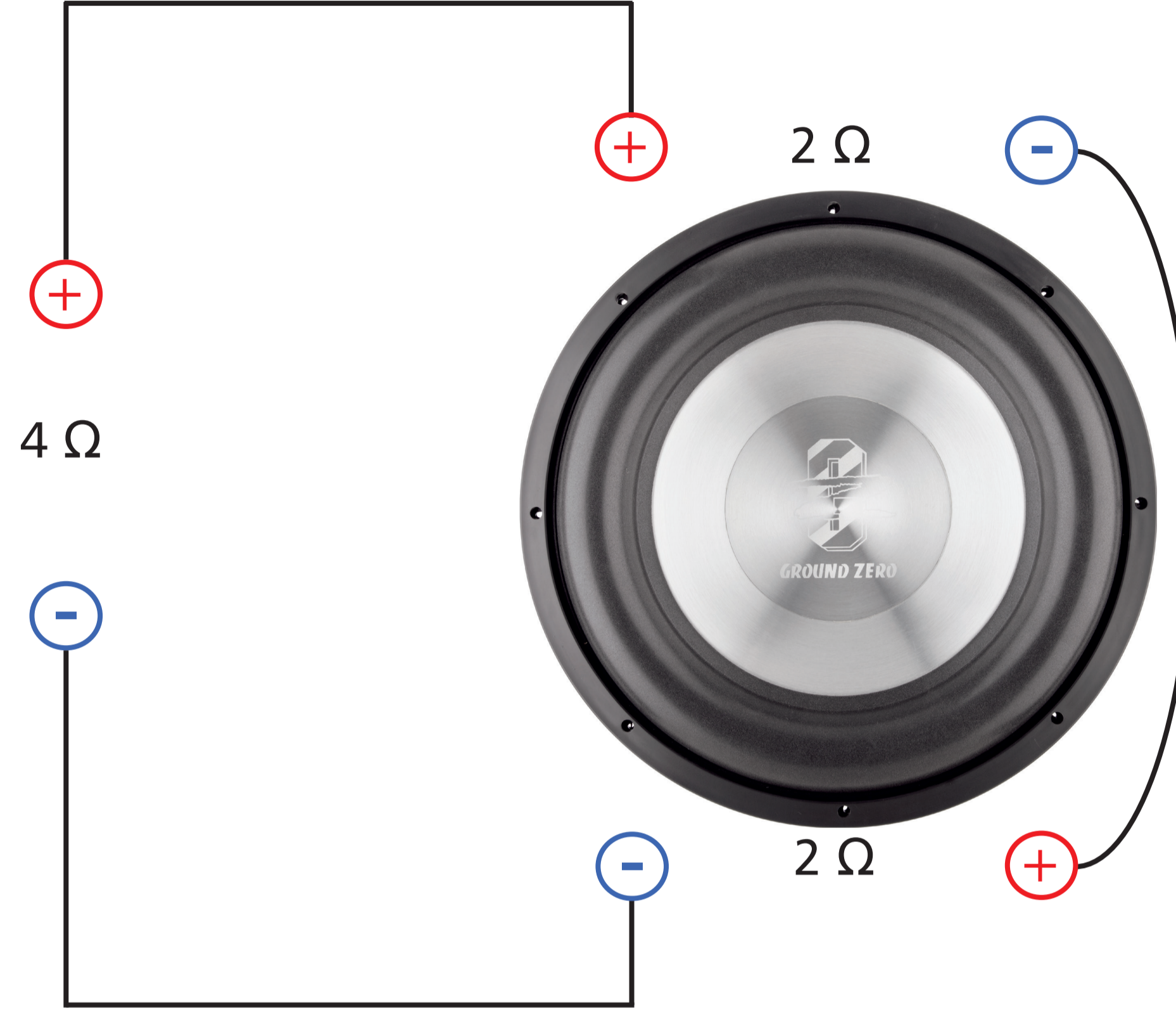
# WOOFER WIRING DIAGRAM

## 1 Woofer

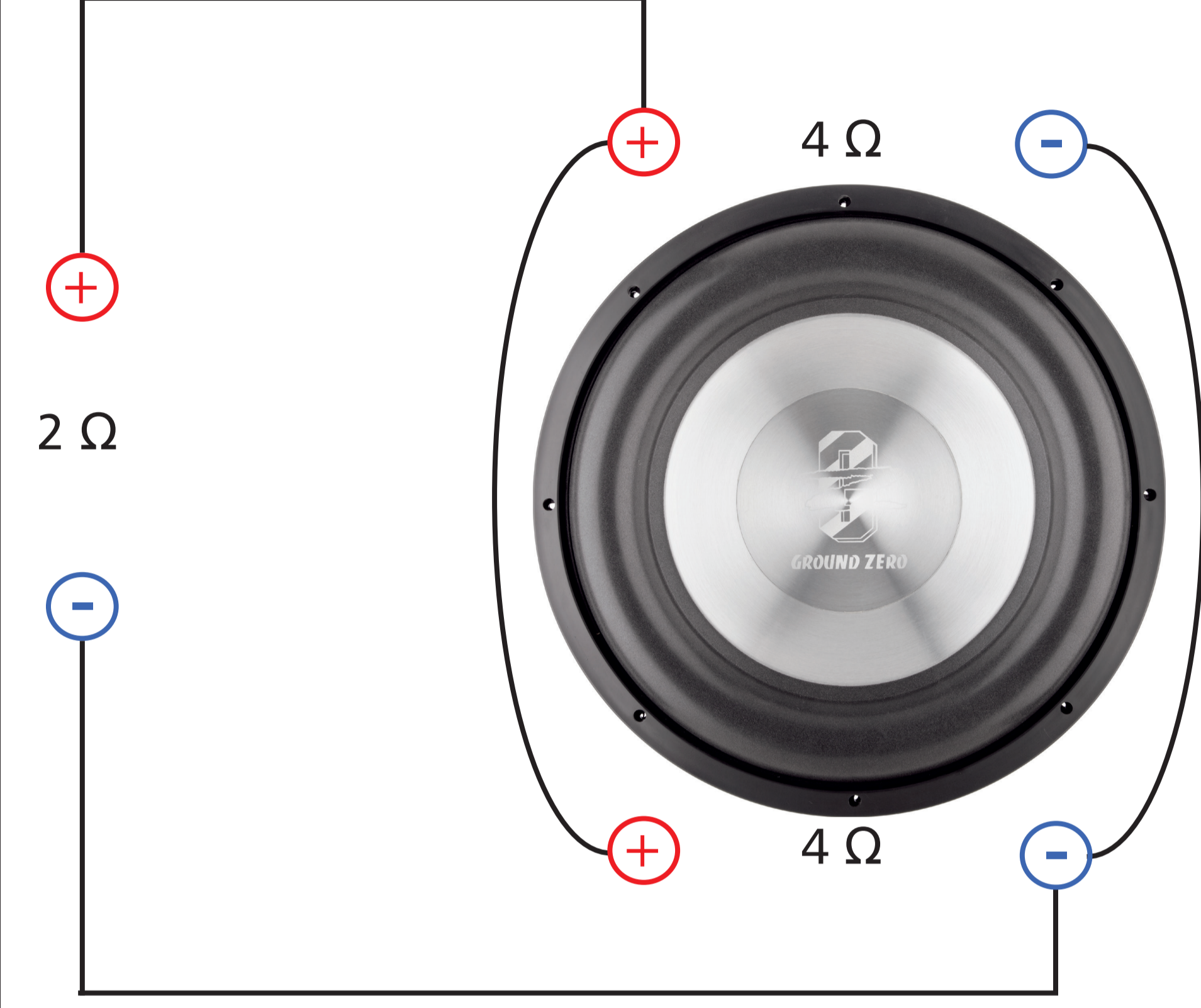
2 Ohm Doppelschwingspule / Dual voice coil  
= 1 Ohm



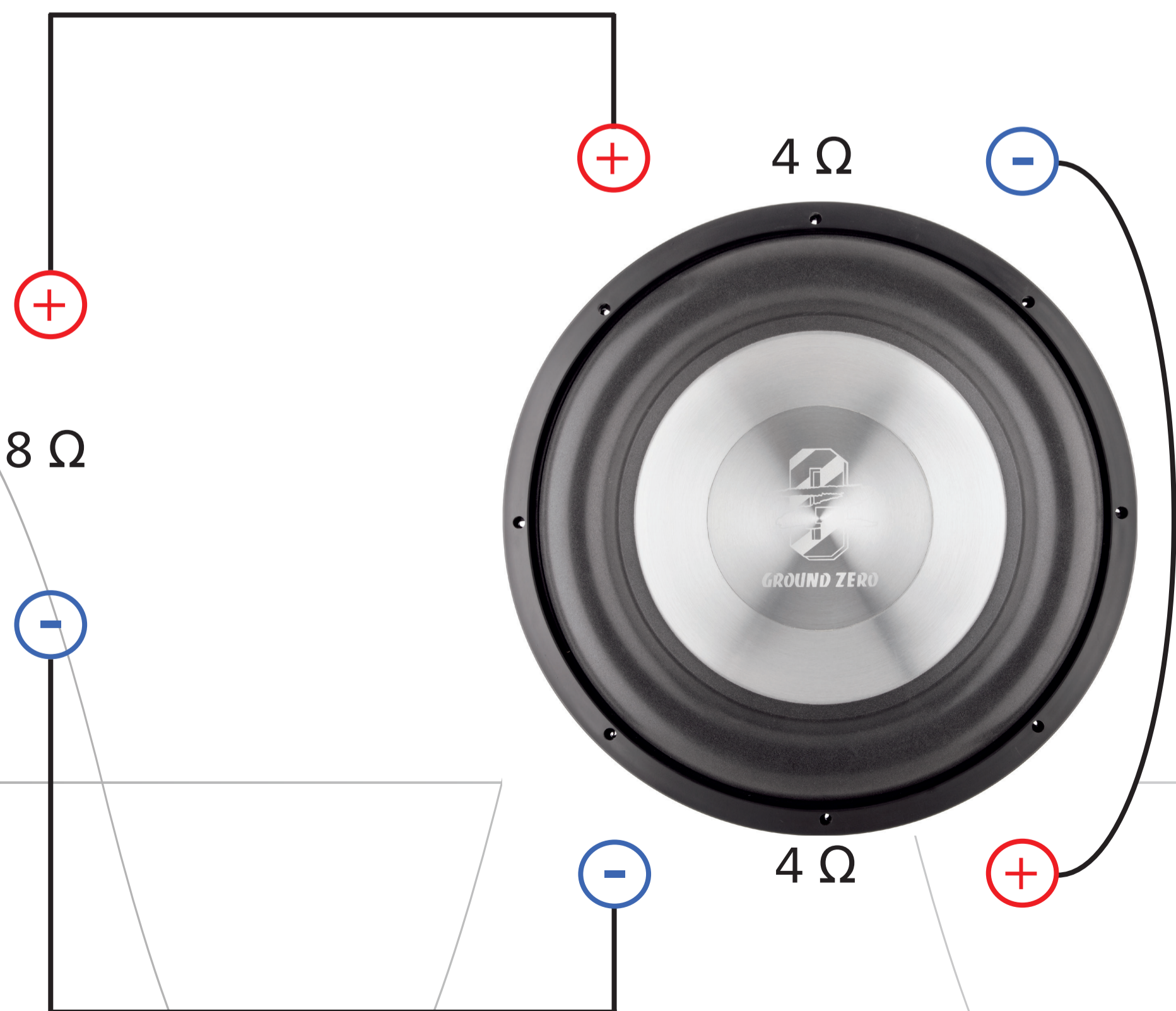
2 Ohm Doppelschwingspule / Dual voice coil  
= 4 Ohm



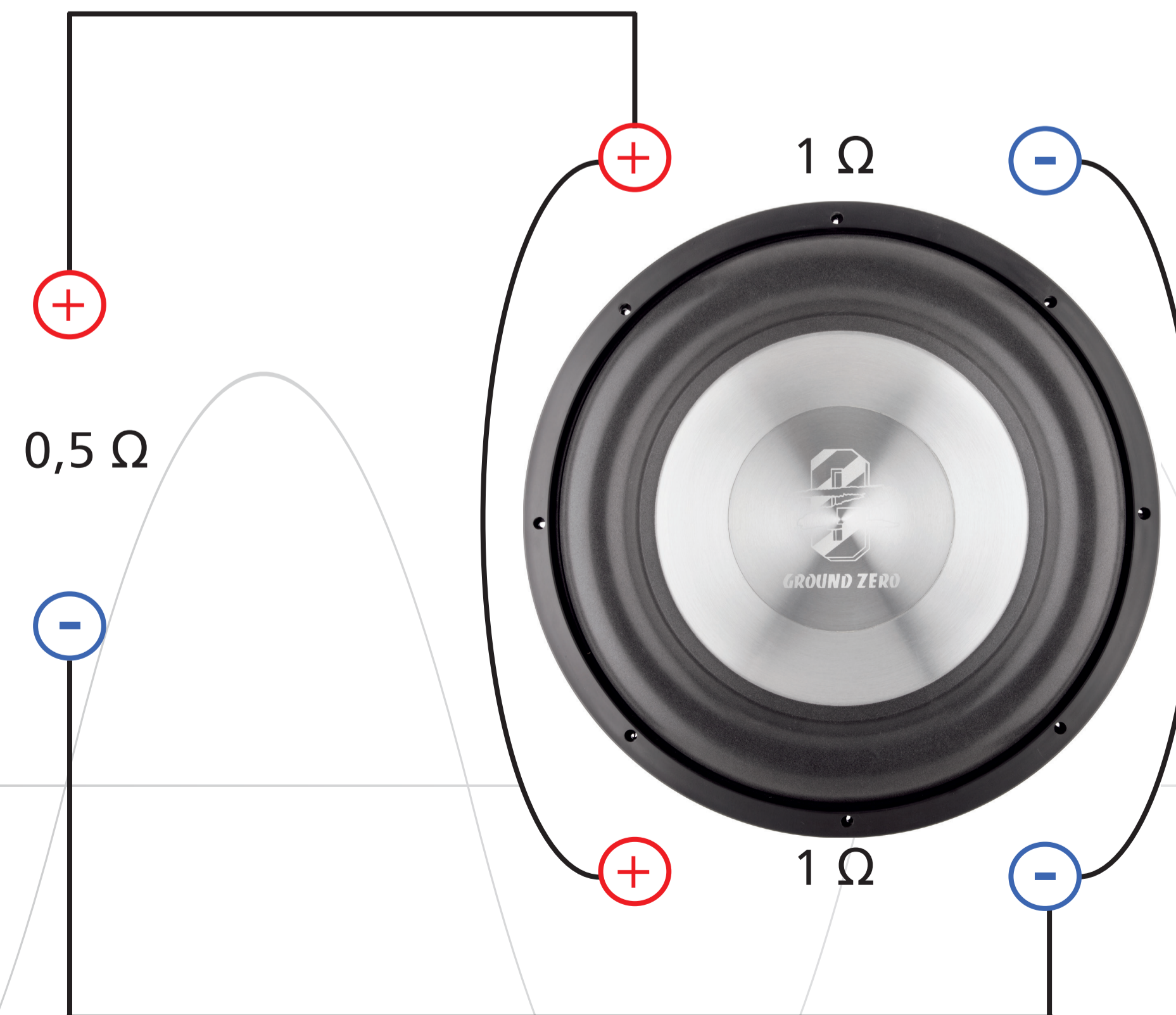
4 Ohm Doppelschwingspule / Dual voice coil  
= 2 Ohm



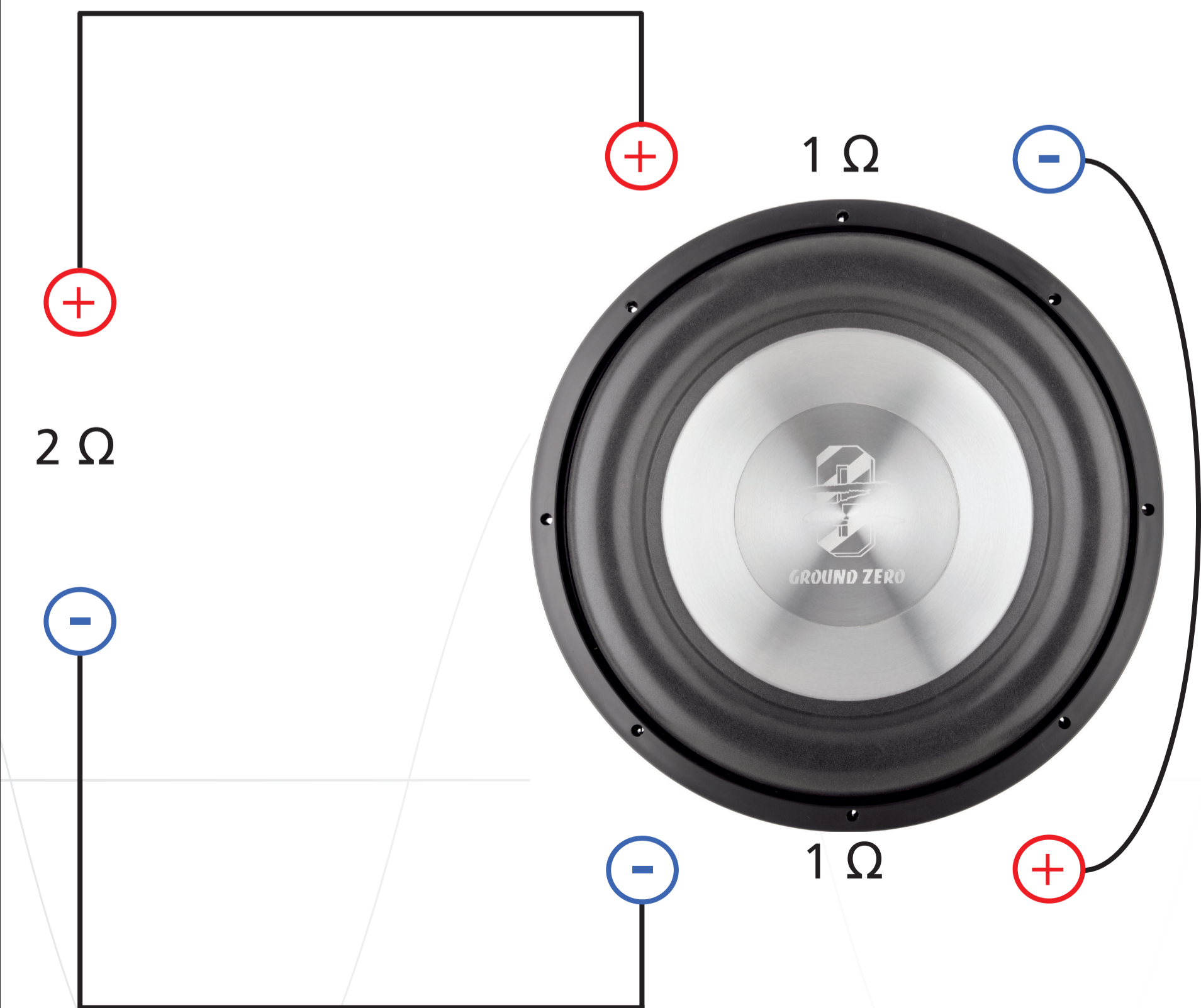
4 Ohm Doppelschwingspule / Dual voice coil  
= 8 Ohm



1 Ohm Doppelschwingspule / Dual voice coil  
= 0,5 Ohm



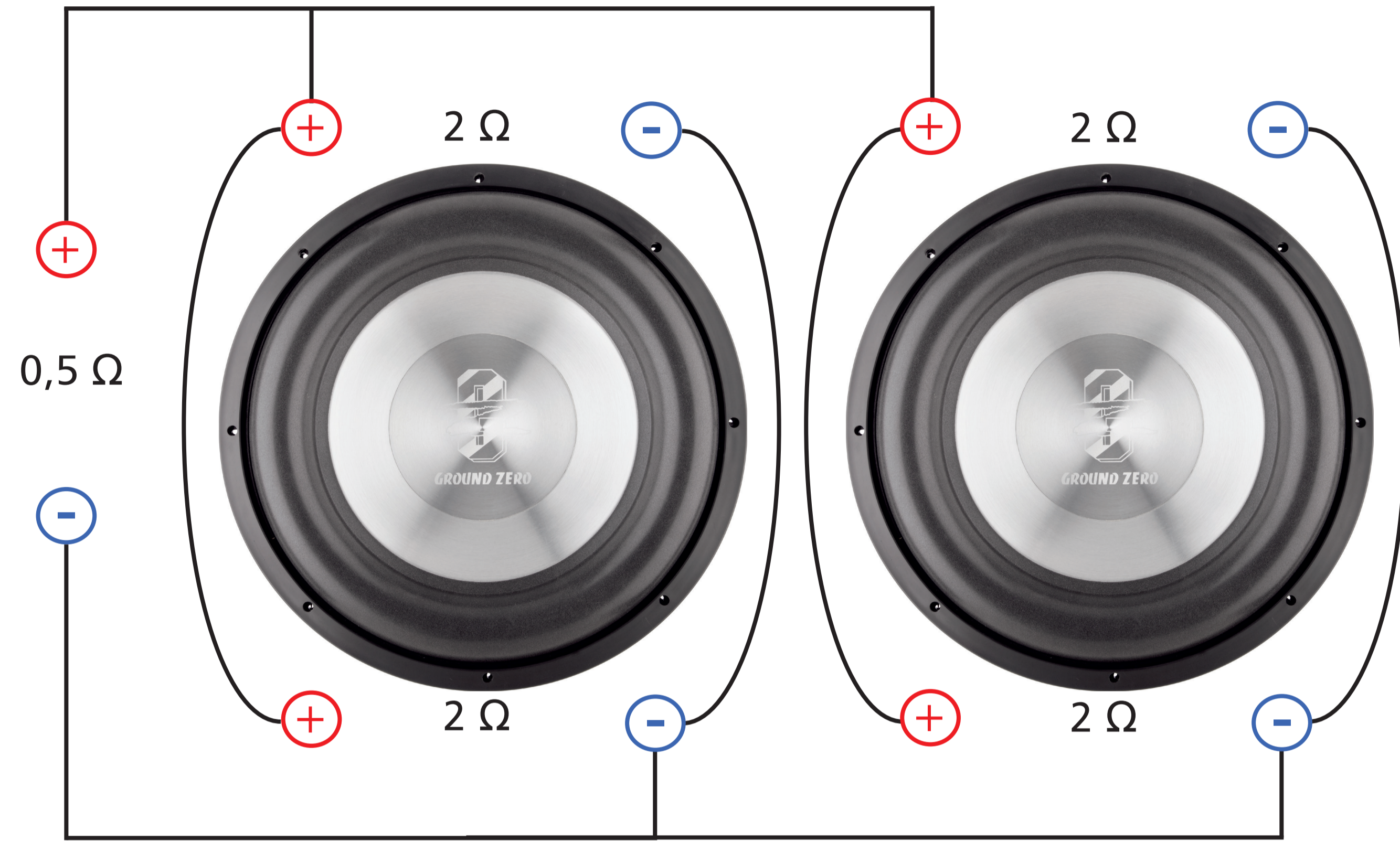
1 Ohm Doppelschwingspule / Dual voice coil  
= 2 Ohm



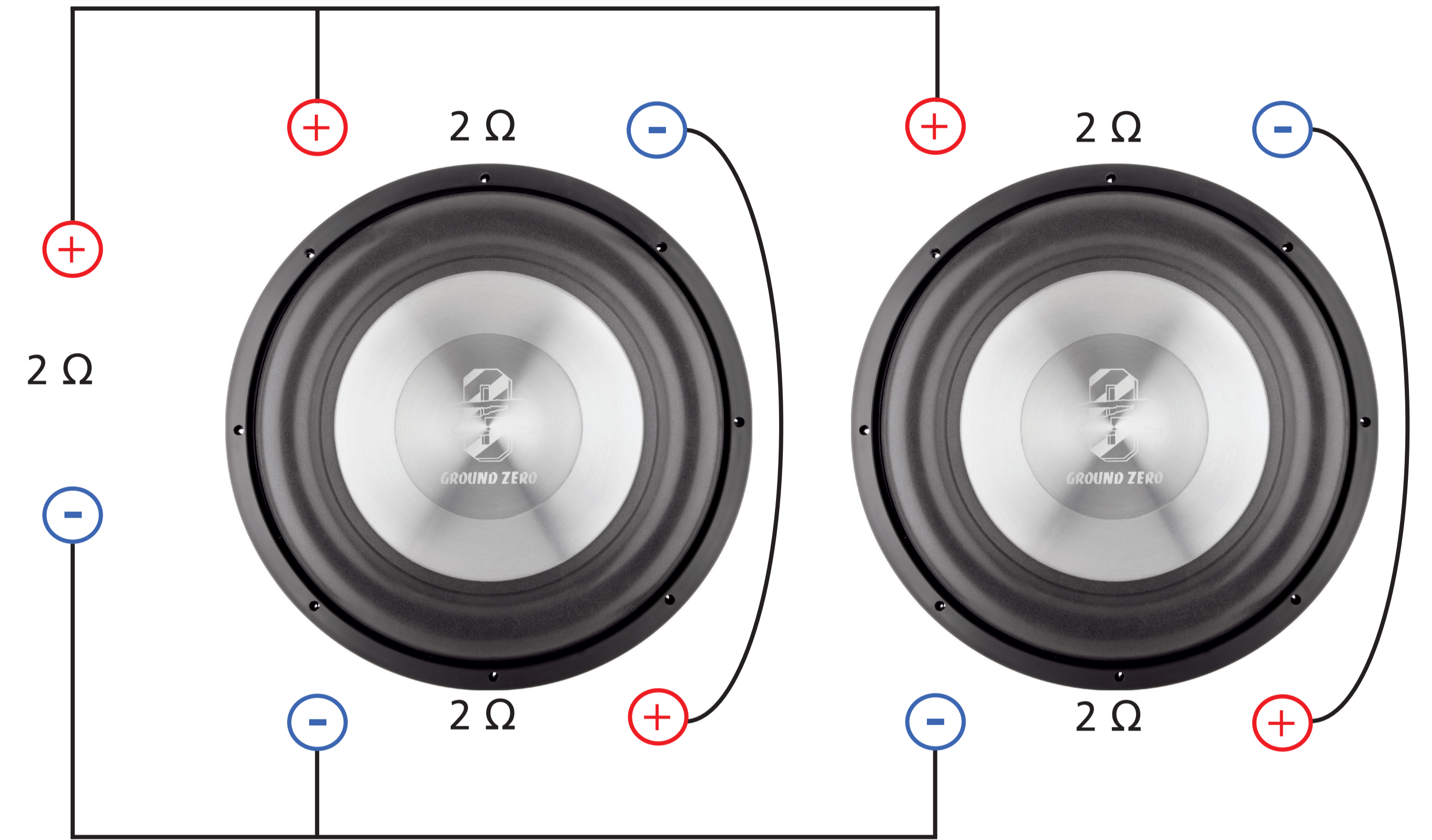
# WOOFER WIRING DIAGRAM

## 2 Woofer

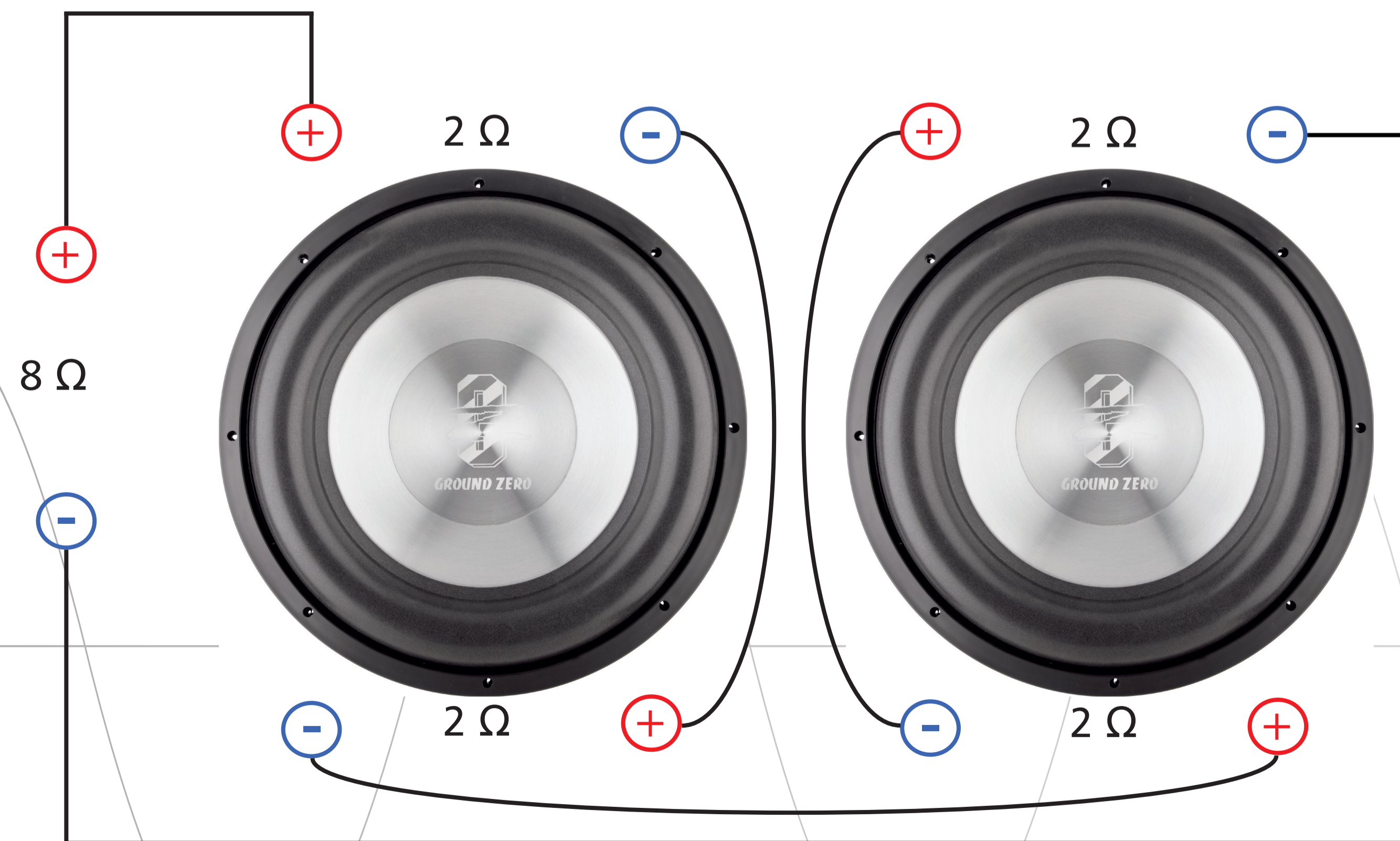
2 Ohm Doppelschwingspule / Dual voice coil  
= 0,5 Ohm



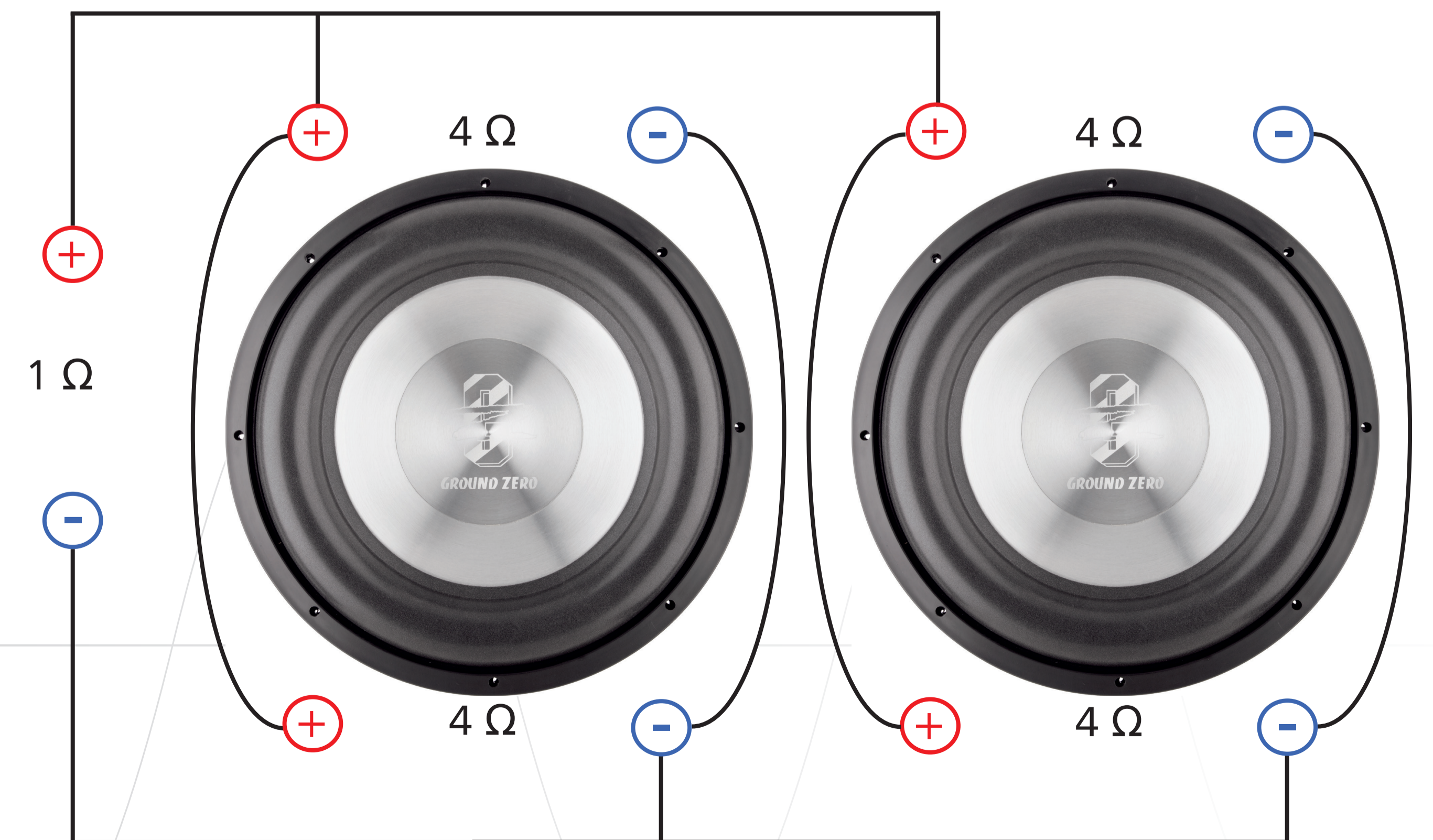
2 Ohm Doppelschwingspule / Dual voice coil  
= 2 Ohm



2 Ohm Doppelschwingspule / Dual voice coil  
= 8 Ohm



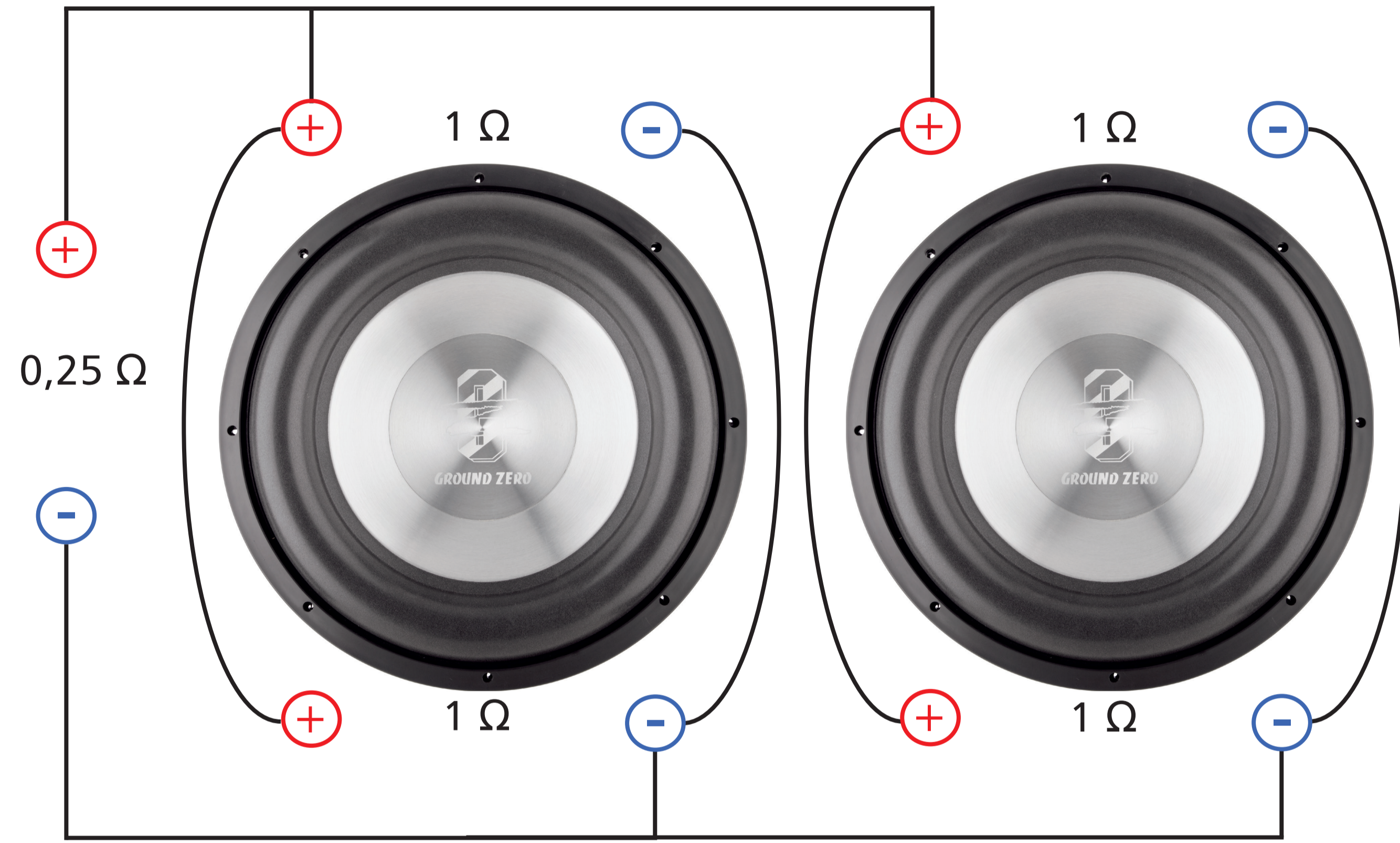
4 Ohm Doppelschwingspule / Dual voice coil  
= 1 Ohm



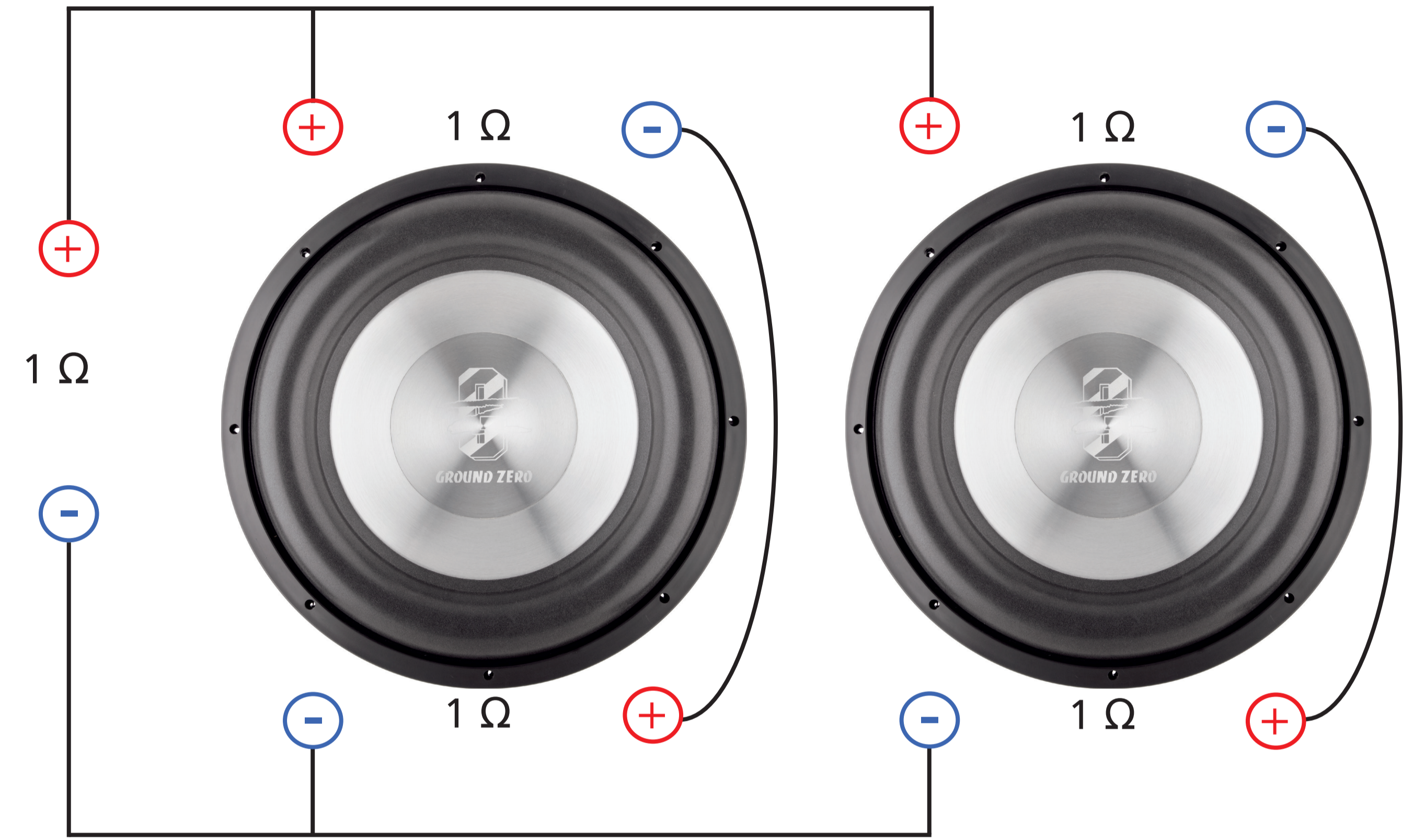
# WOOFER WIRING DIAGRAM

## 2 Woofer

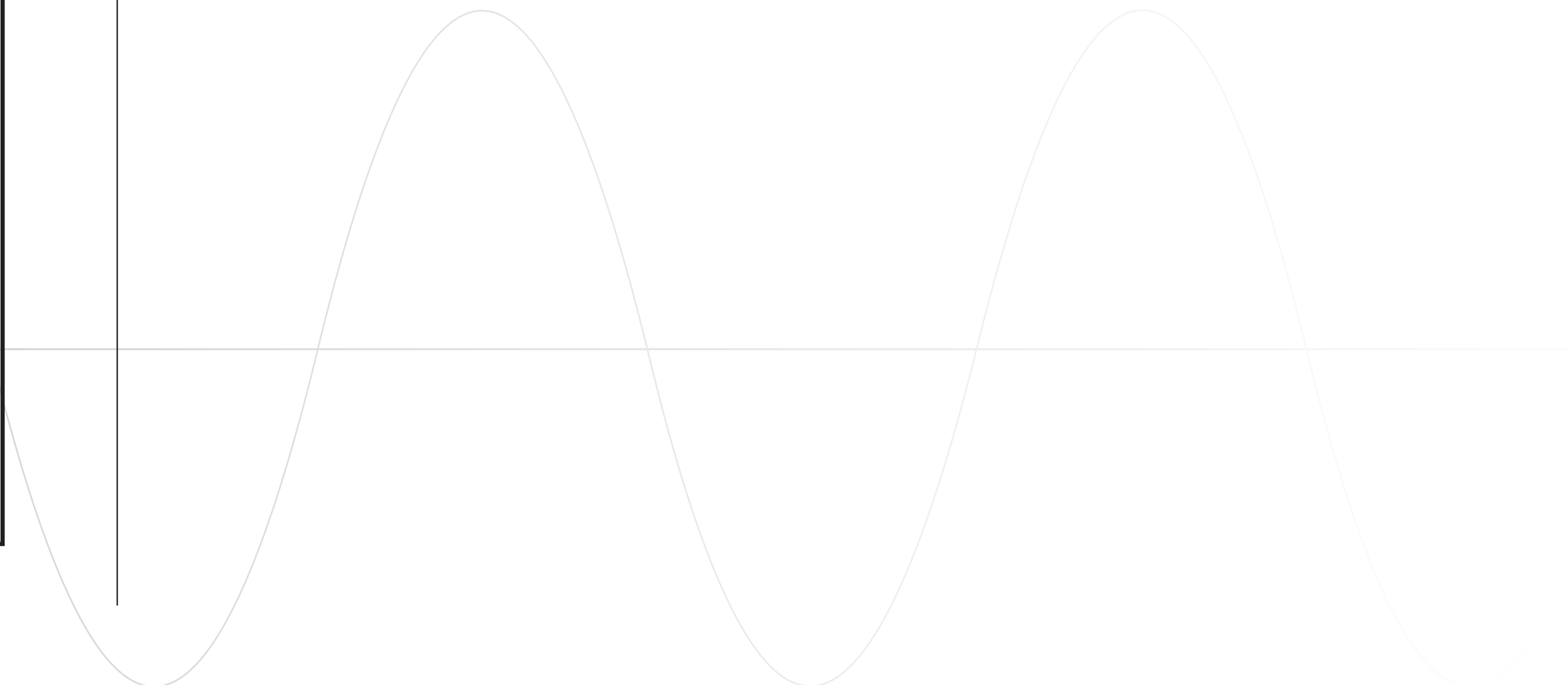
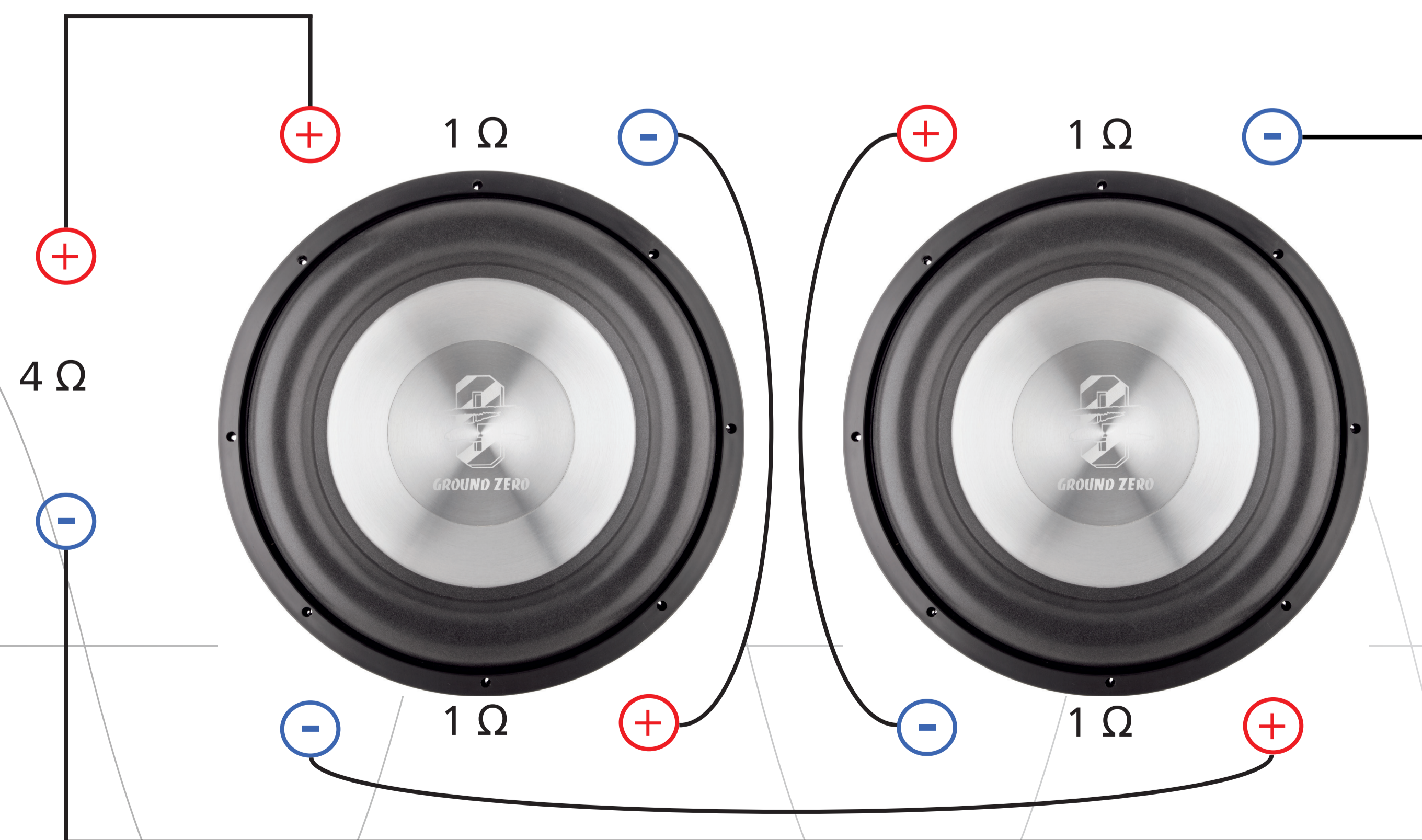
1 Ohm Doppelschwingspule / Dual voice coil  
= 0,25 Ohm



1 Ohm Doppelschwingspule / Dual voice coil  
= 1 Ohm



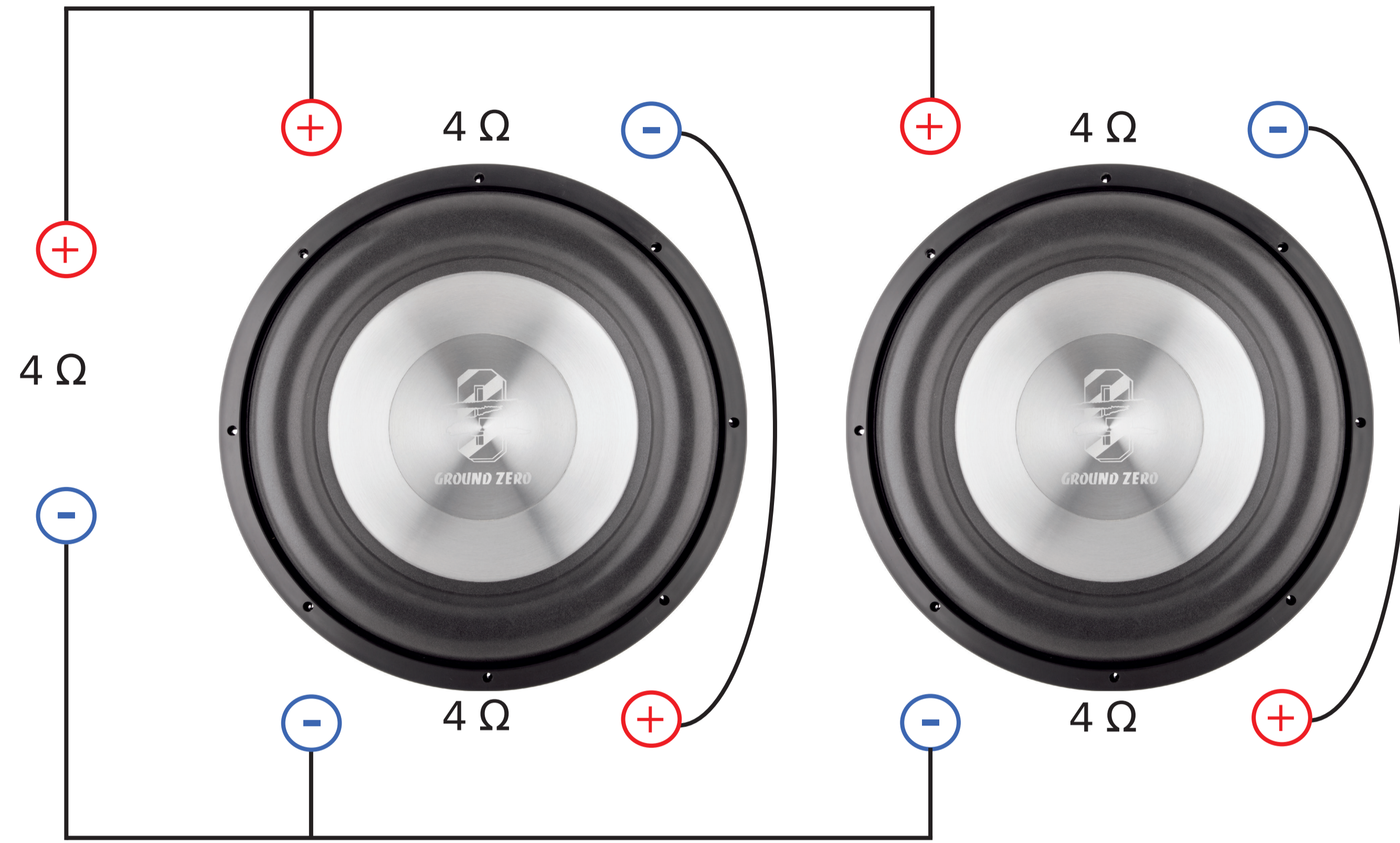
1 Ohm Doppelschwingspule / Dual voice coil  
= 4 Ohm



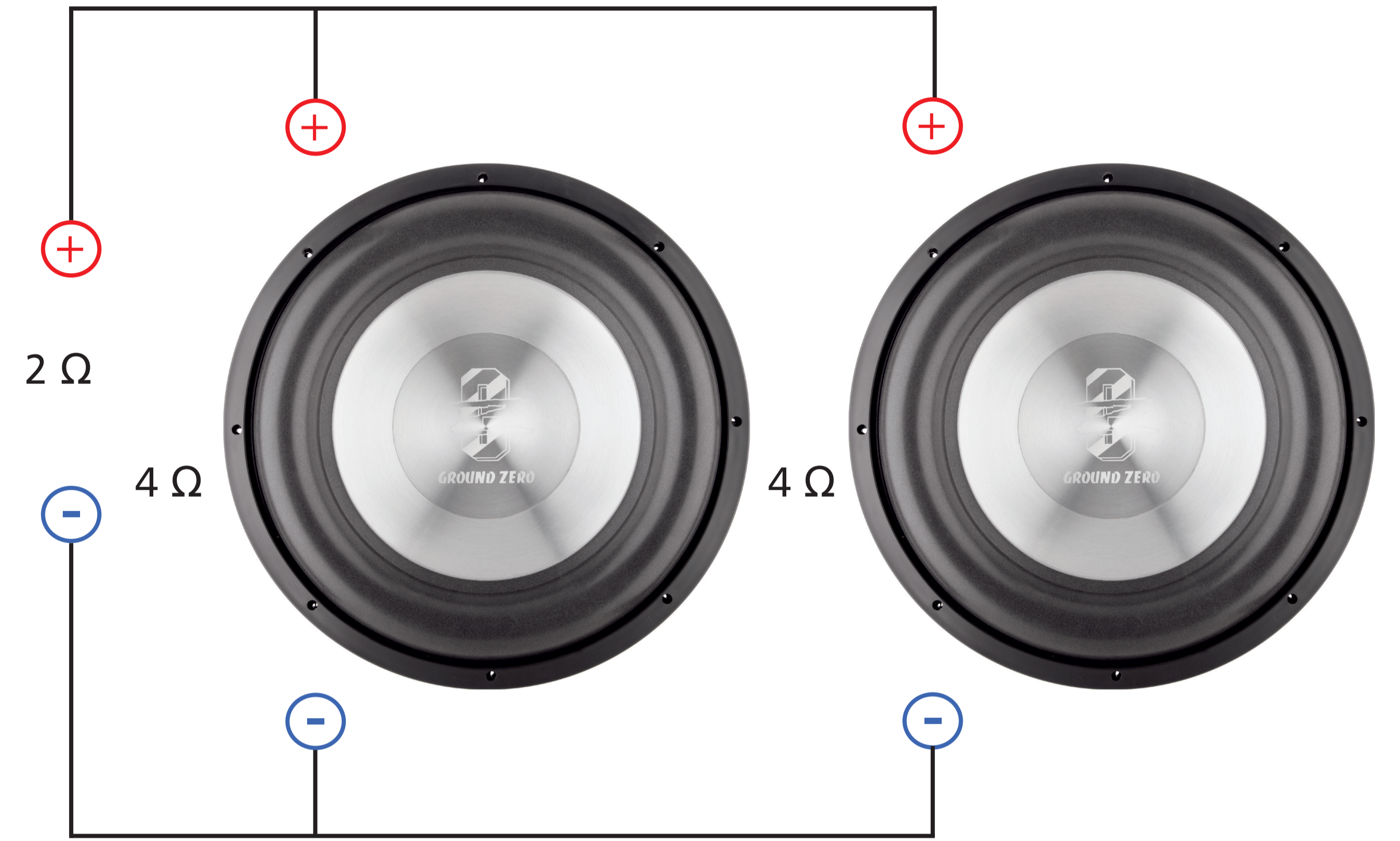
# WOOFER WIRING DIAGRAM

## 2 Woofer

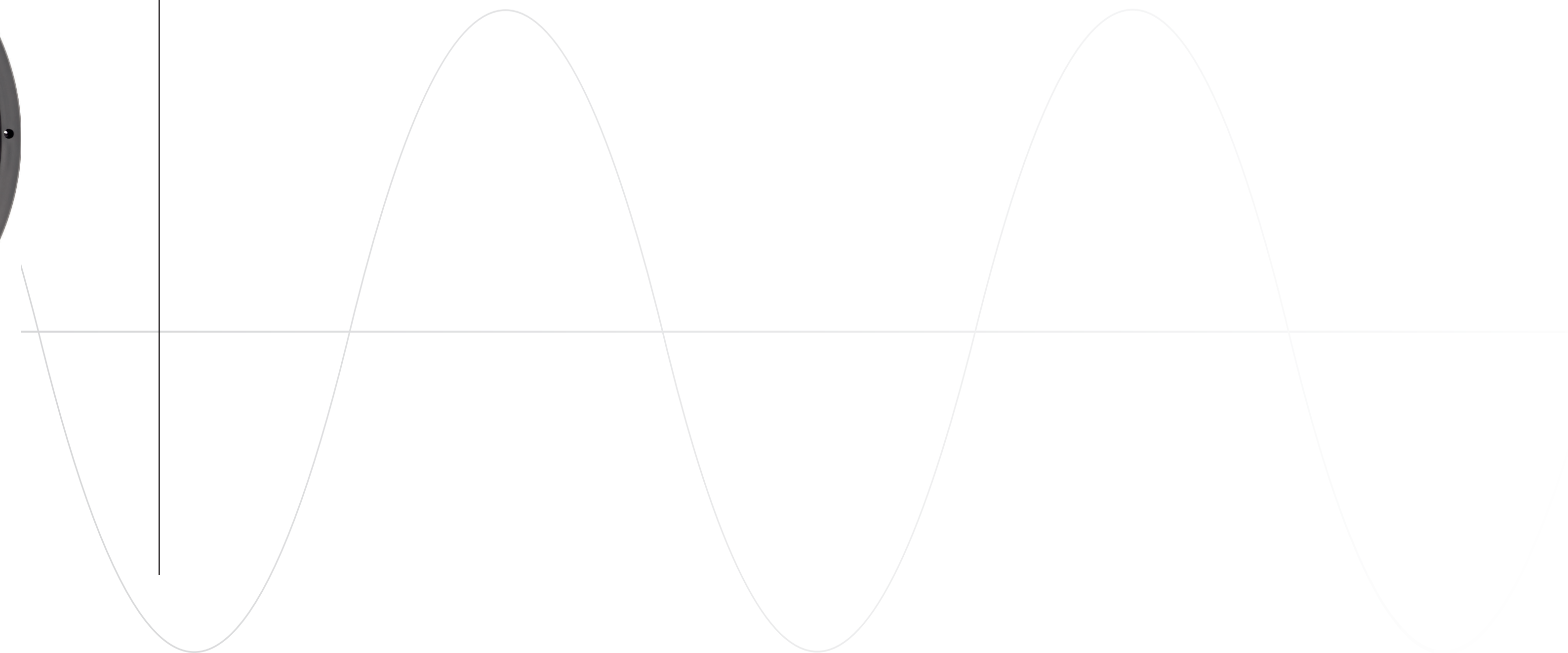
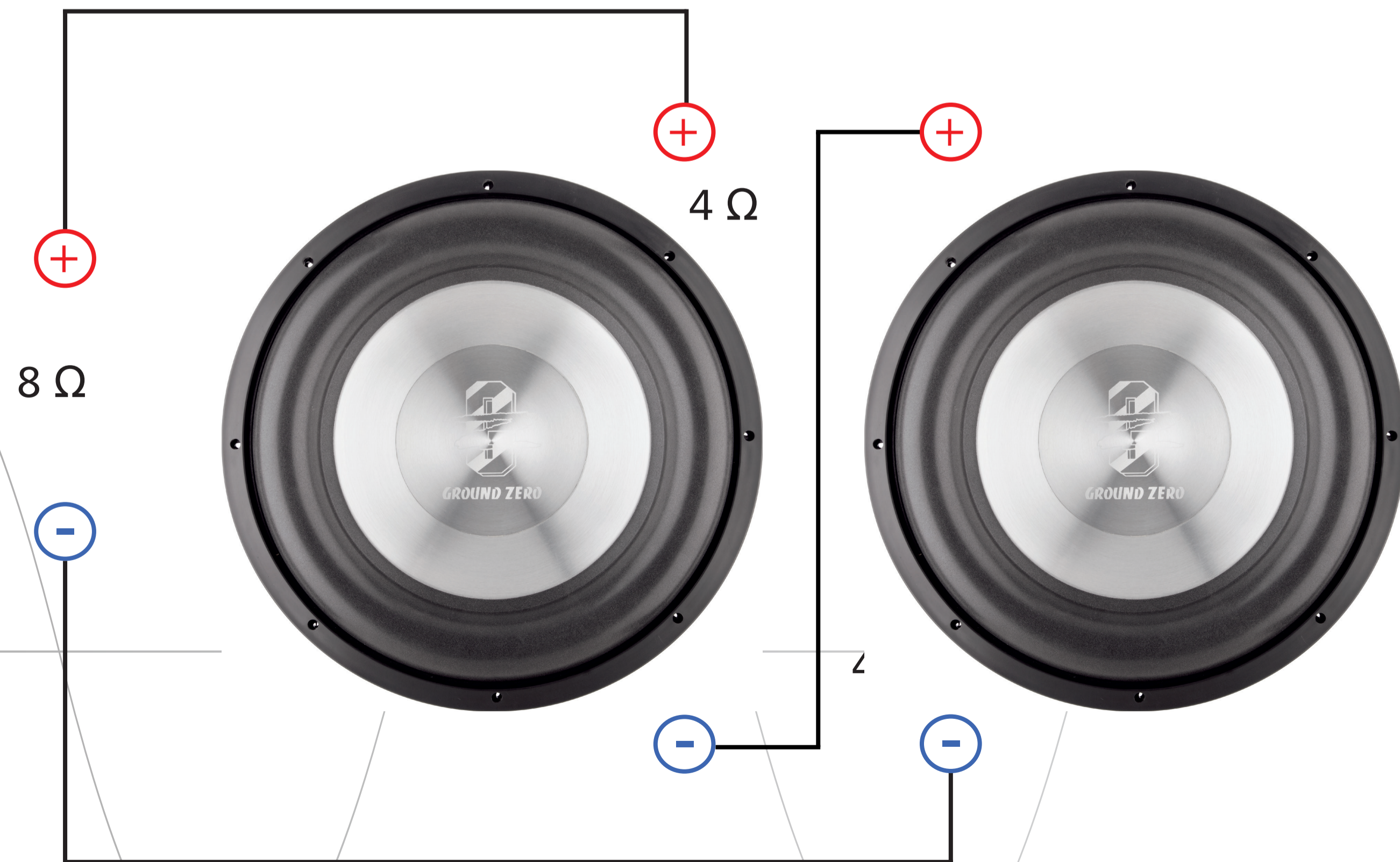
4 Ohm Doppelschwingspule / Dual voice coil  
= 4 Ohm



4 Ohm Einzelschwingspule / Single voice coil  
= 2 Ohm



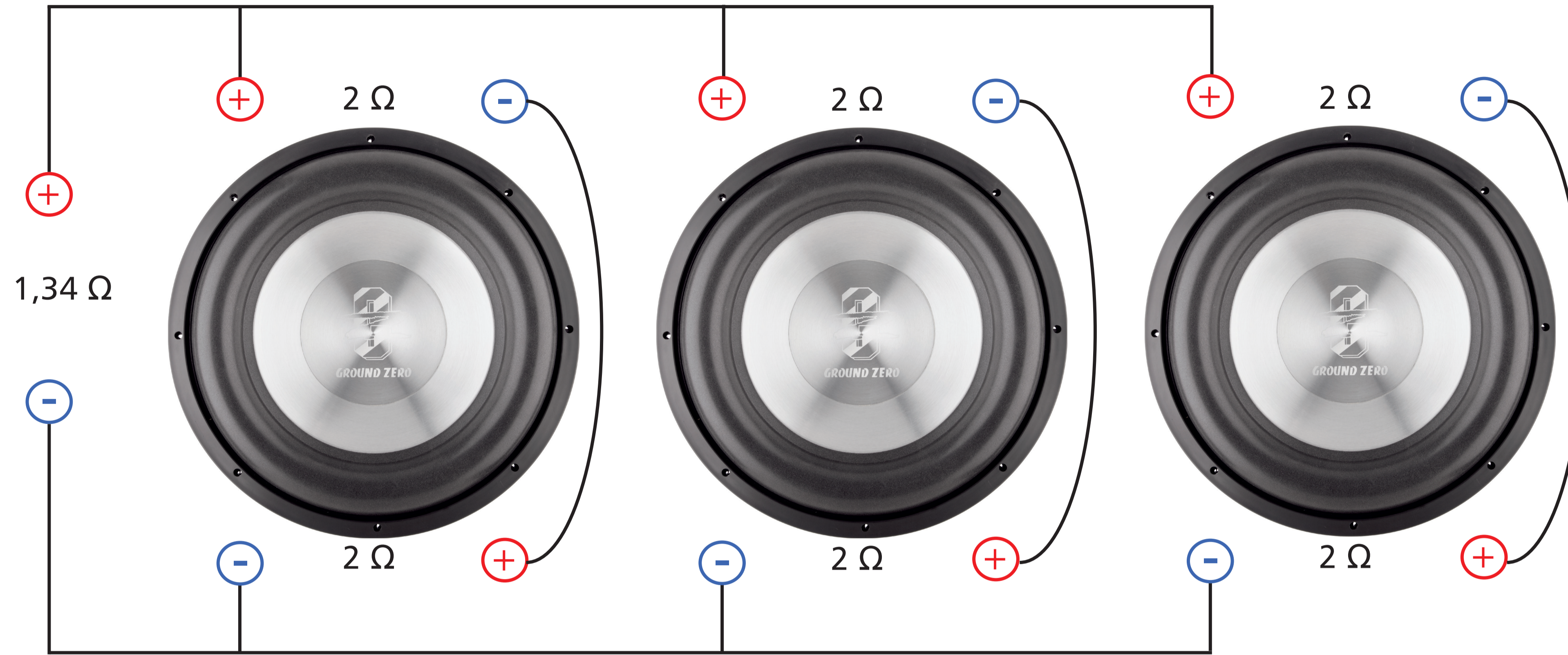
4 Ohm Einzelschwingspule / Single voice coil  
= 8 Ohm



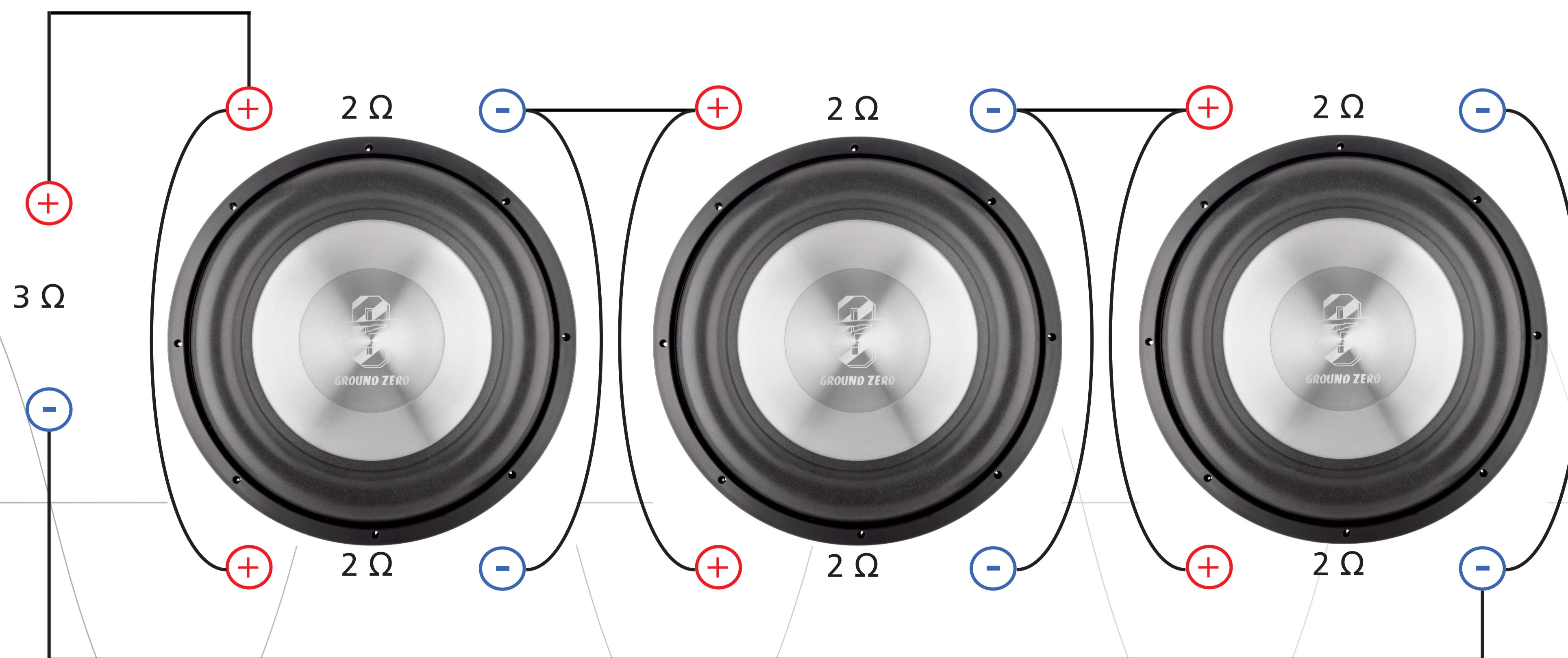
# WOOFER WIRING DIAGRAM

## 3 Woofer

2 Ohm Doppelschwingspule / Dual voice coil  
= 1,34 Ohm



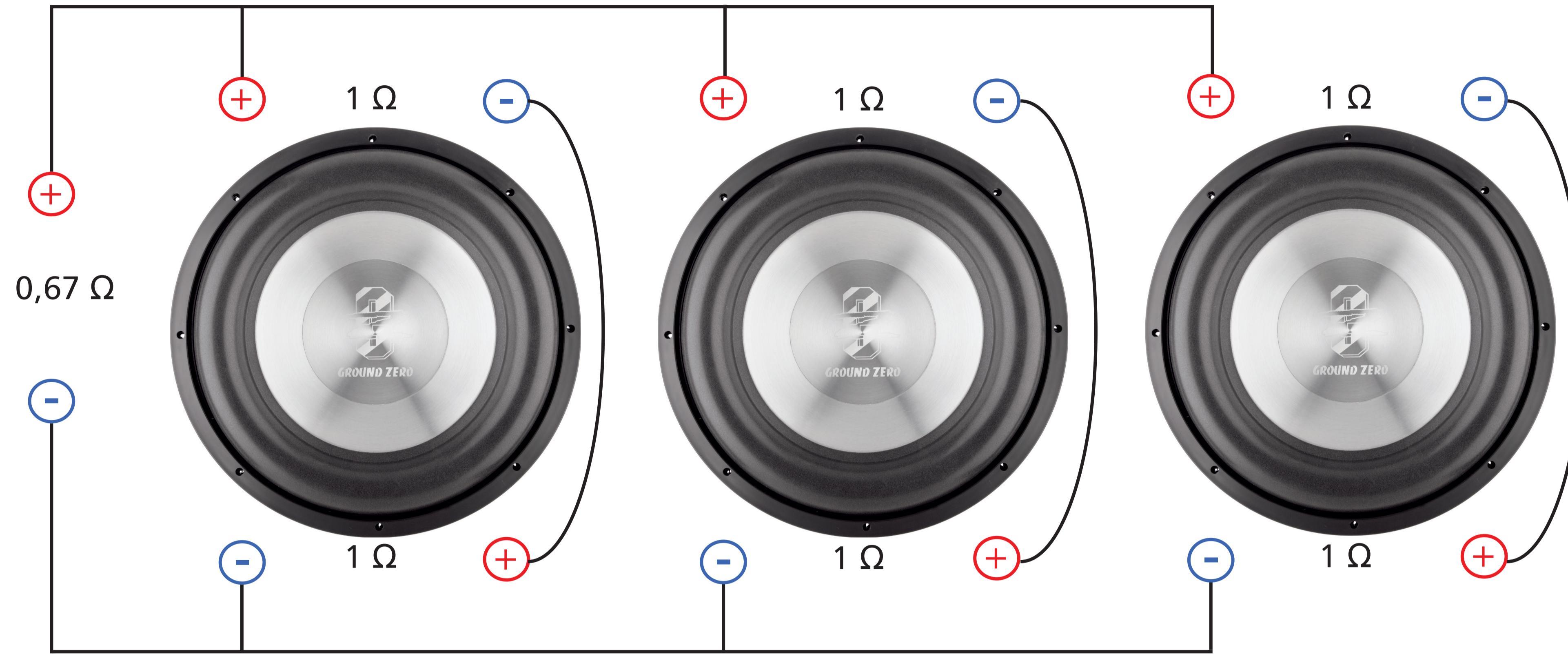
2 Ohm Doppelschwingspule / Dual voice coil  
= 3 Ohm



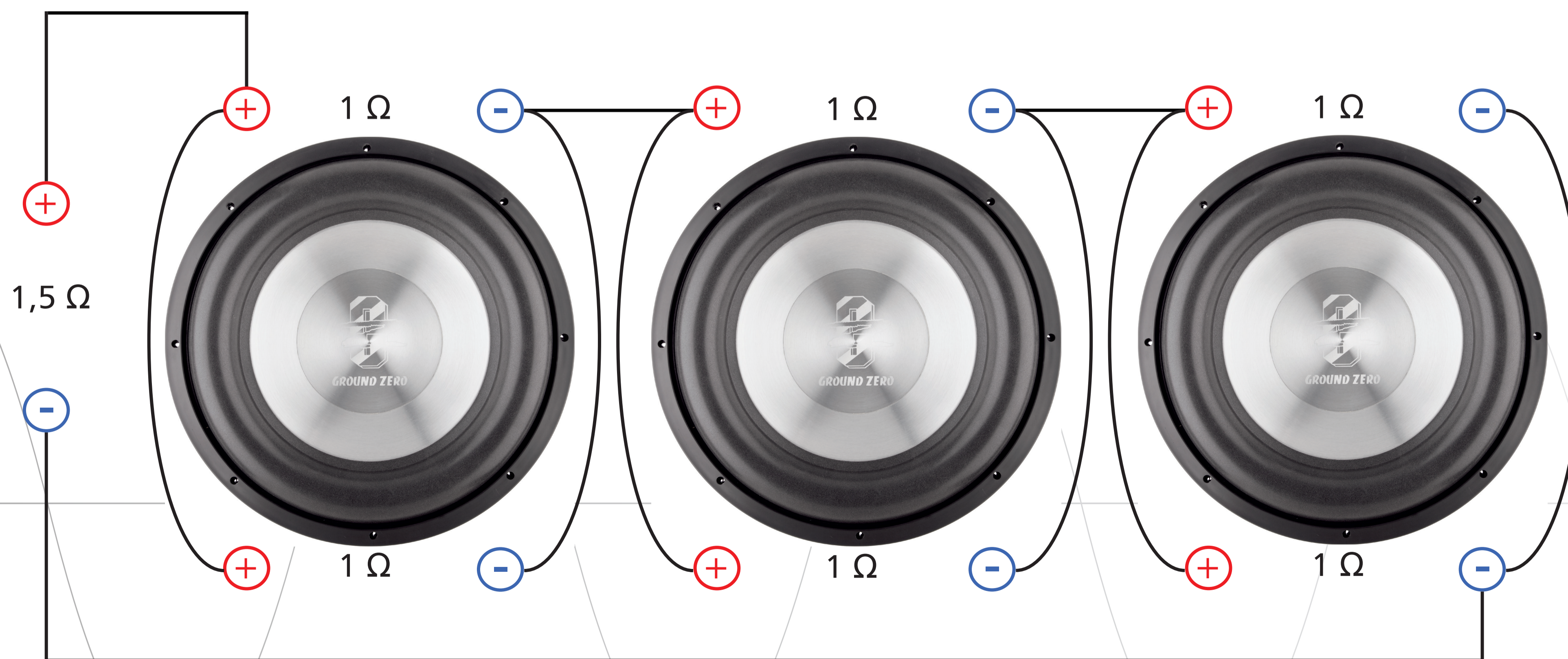
# WOOFER WIRING DIAGRAM

## 3 Woofer

1 Ohm Doppelschwingspule / Dual voice coil  
= 0,67 Ohm



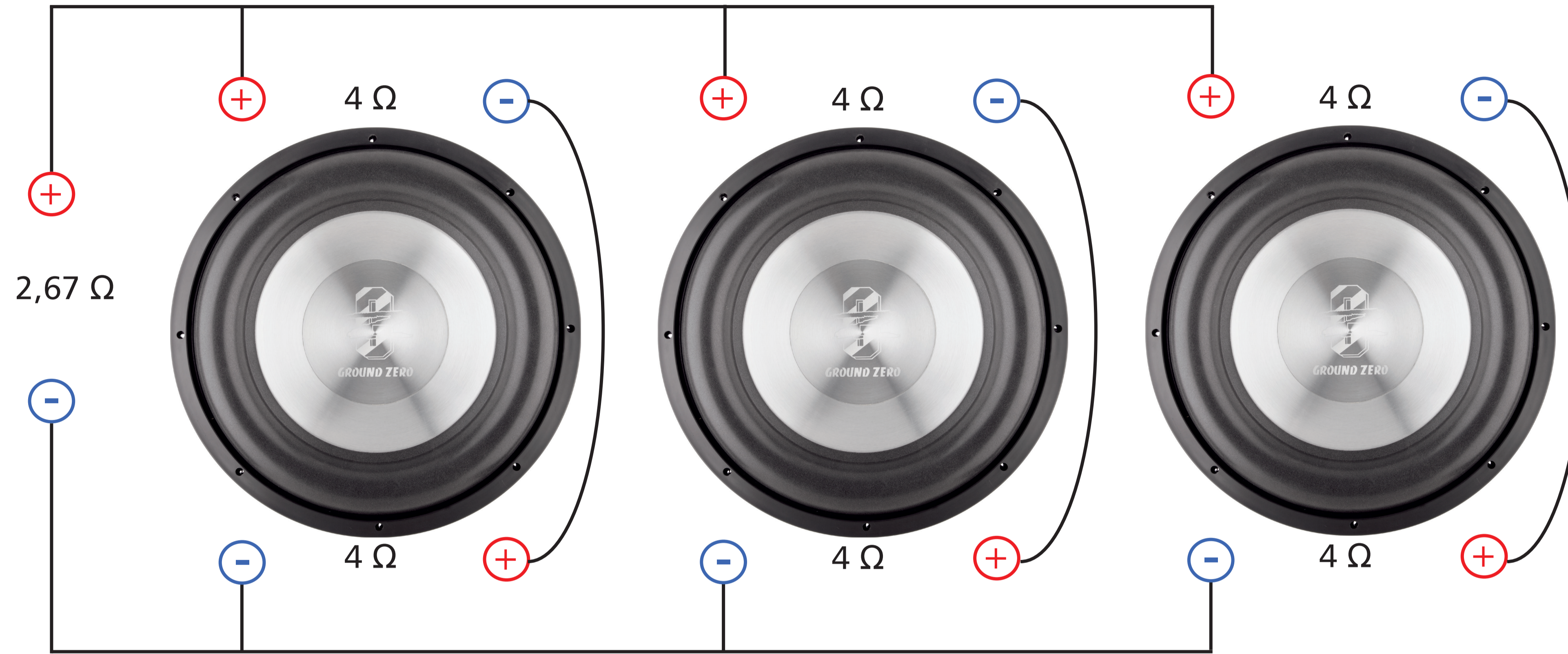
1 Ohm Doppelschwingspule / Dual voice coil  
= 1,5 Ohm



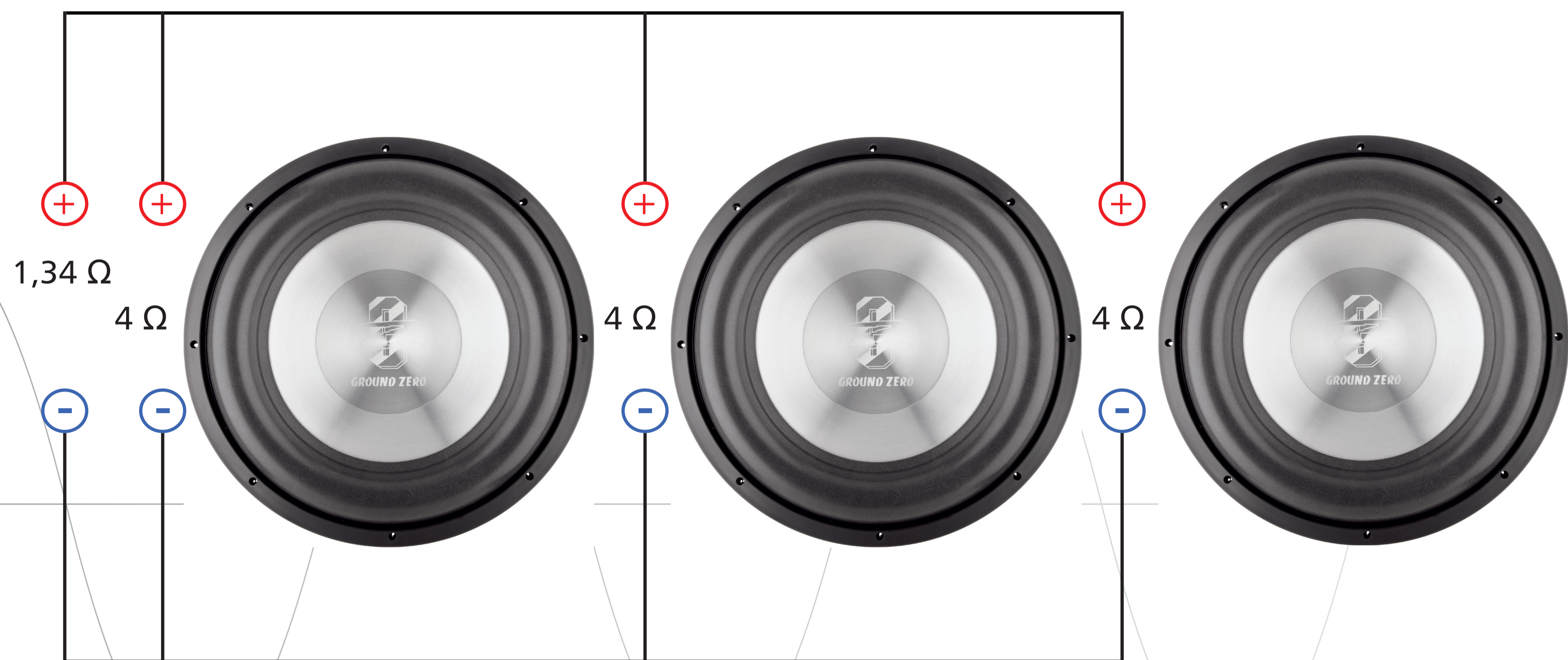
# WOOFER WIRING DIAGRAM

## 3 Woofer

4 Ohm Doppelschwingspule / Dual voice coil  
= 2,67 Ohm



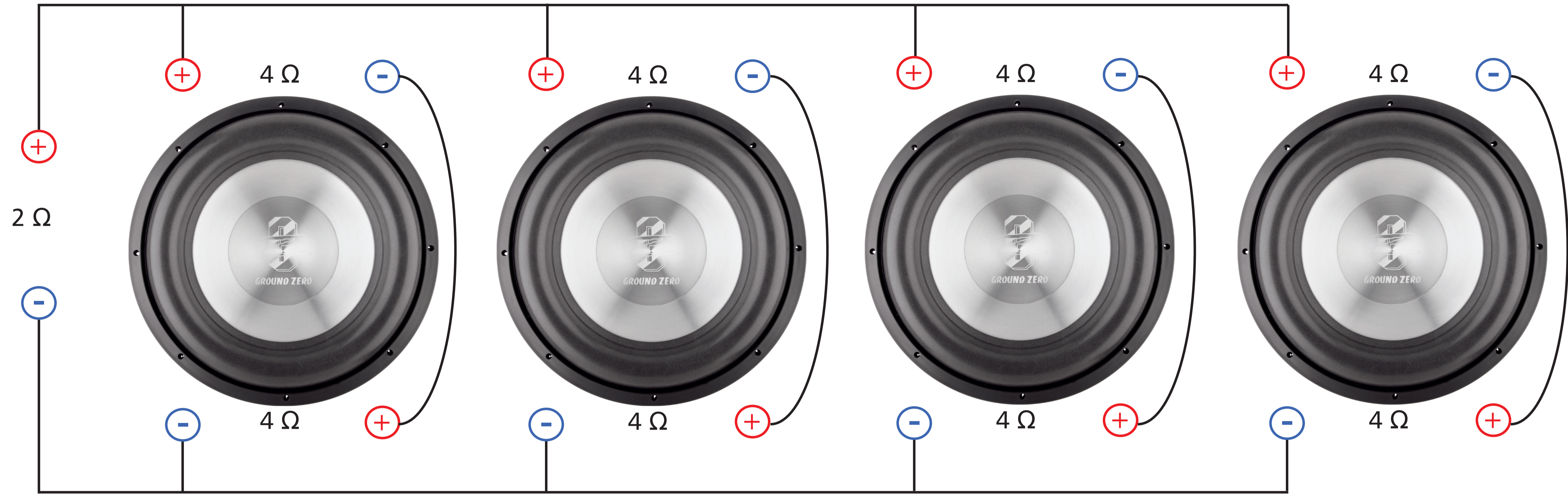
4 Ohm Doppelschwingspule / Dual voice coil  
= 1,34 Ohm



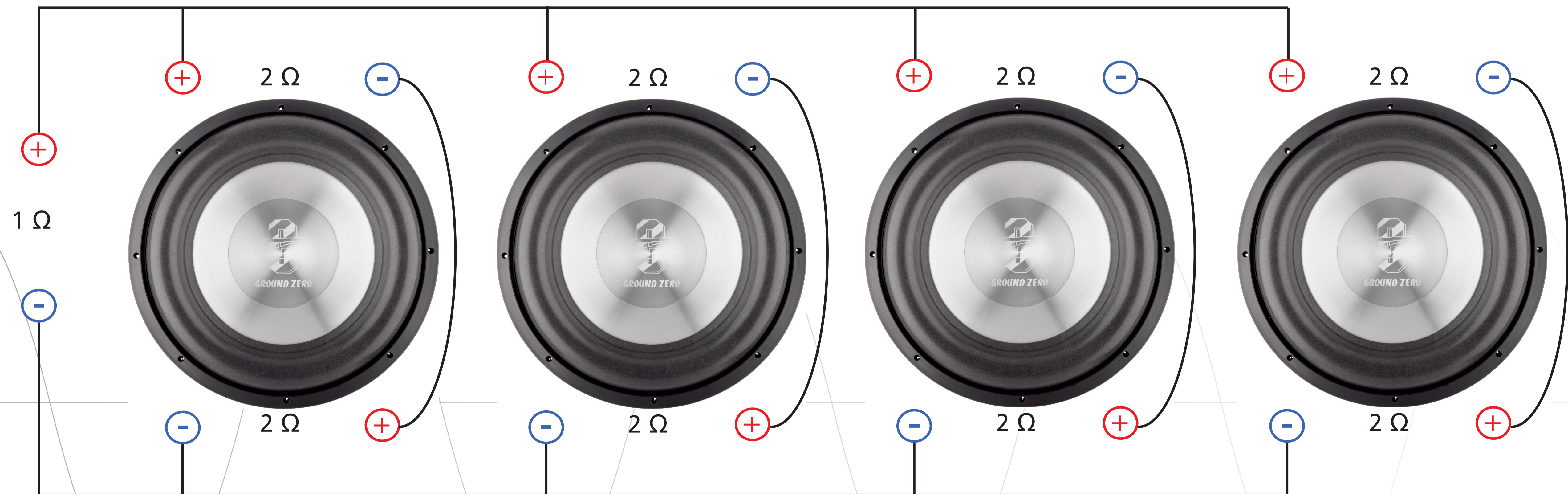
# WOOFER WIRING DIAGRAM

## 4 Woofer

4 Ohm Doppelschwingspule / Dual voice coil  
= 2 Ohm



2 Ohm Doppelschwingspule / Dual voice coil  
= 1 Ohm

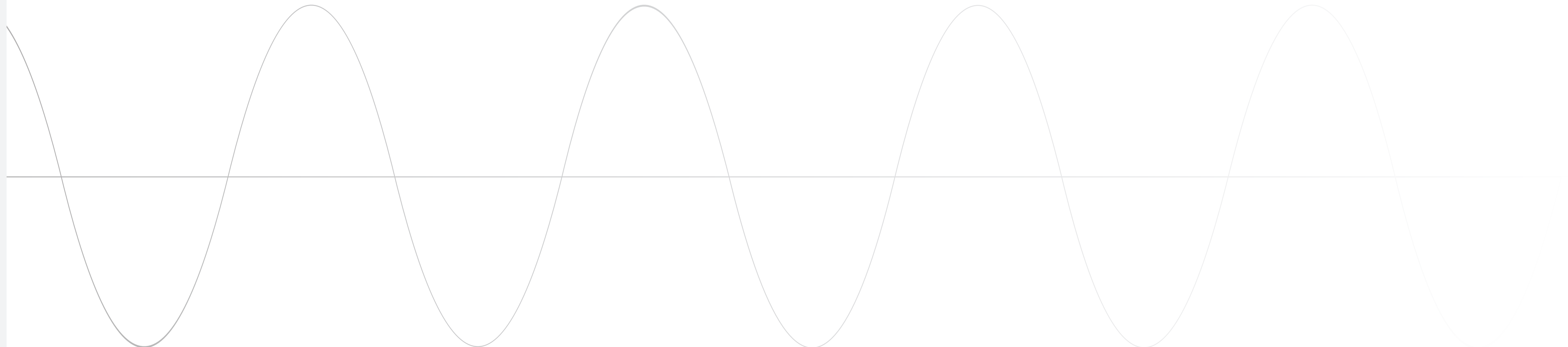
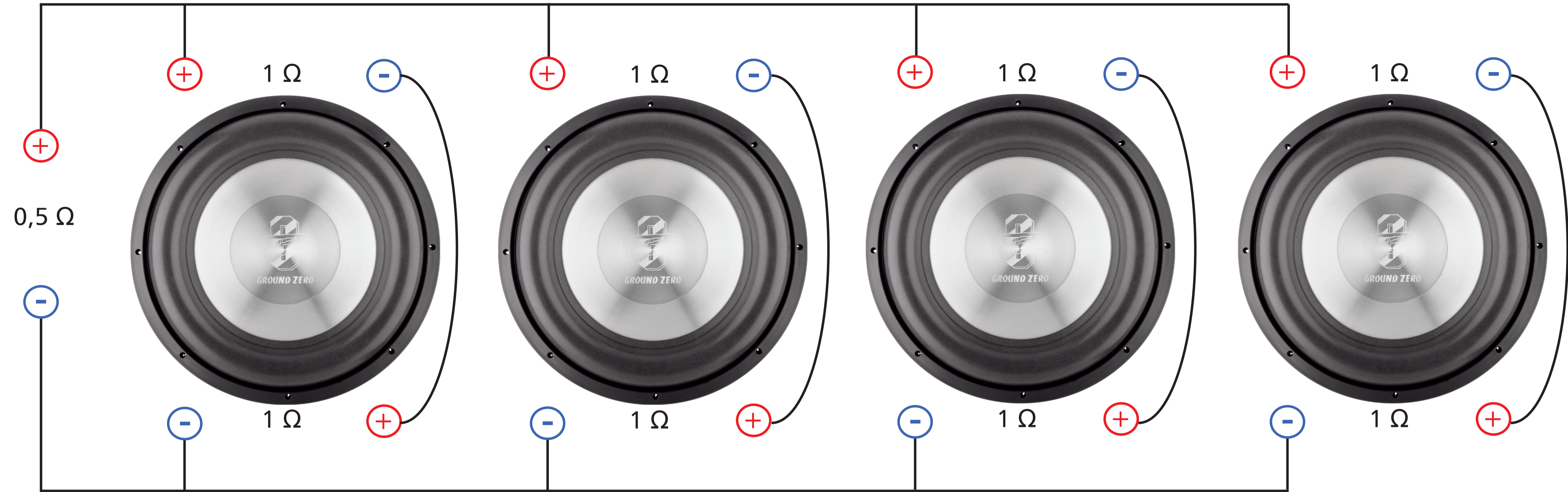




# WOOFER WIRING DIAGRAM

## 4 Woofer

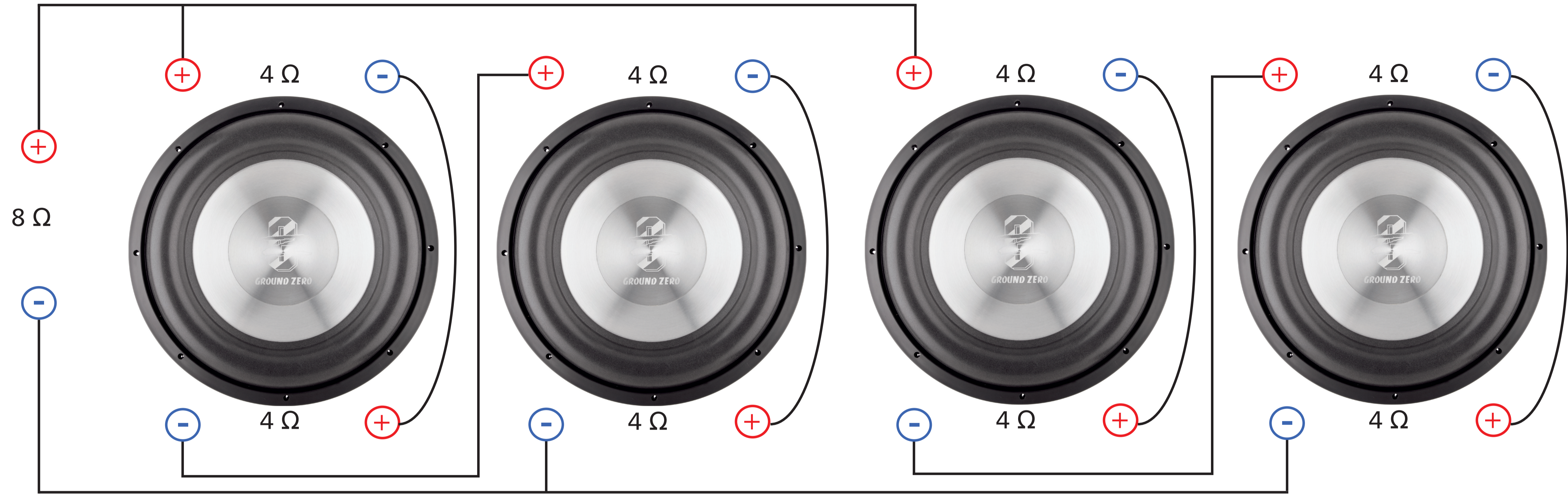
1 Ohm Doppelschwingspule / Dual voice coil  
= 0,5 Ohm



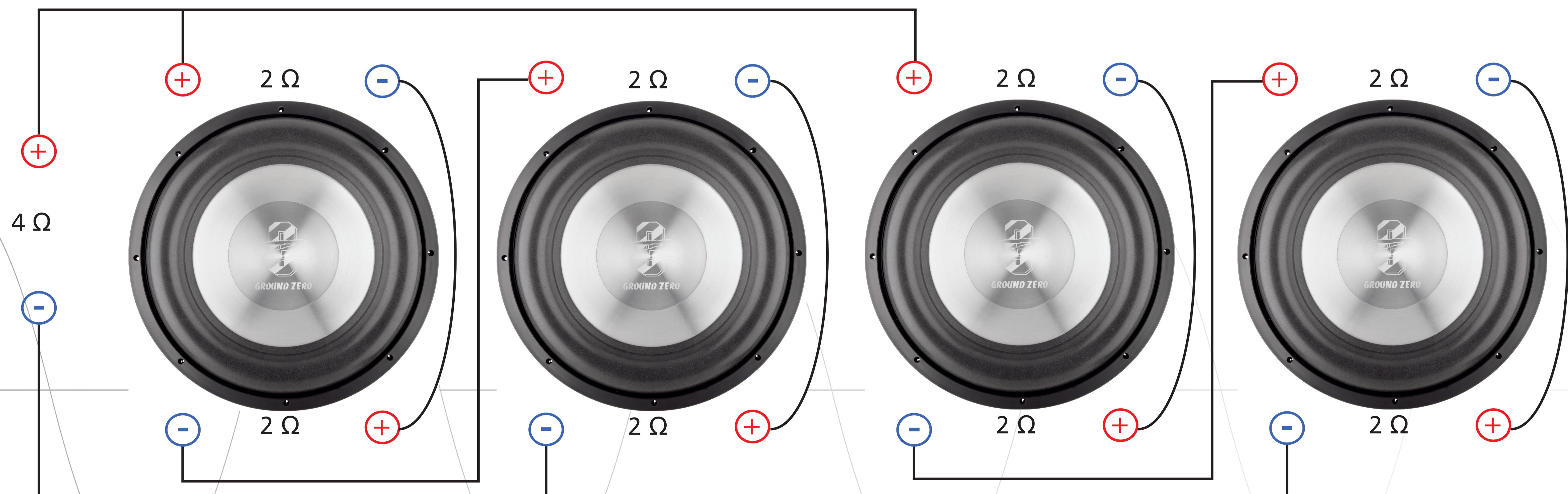
# WOOFER WIRING DIAGRAM

## 4 Woofer

4 Ohm Doppelschwingspule / Dual voice coil  
= 8 Ohm



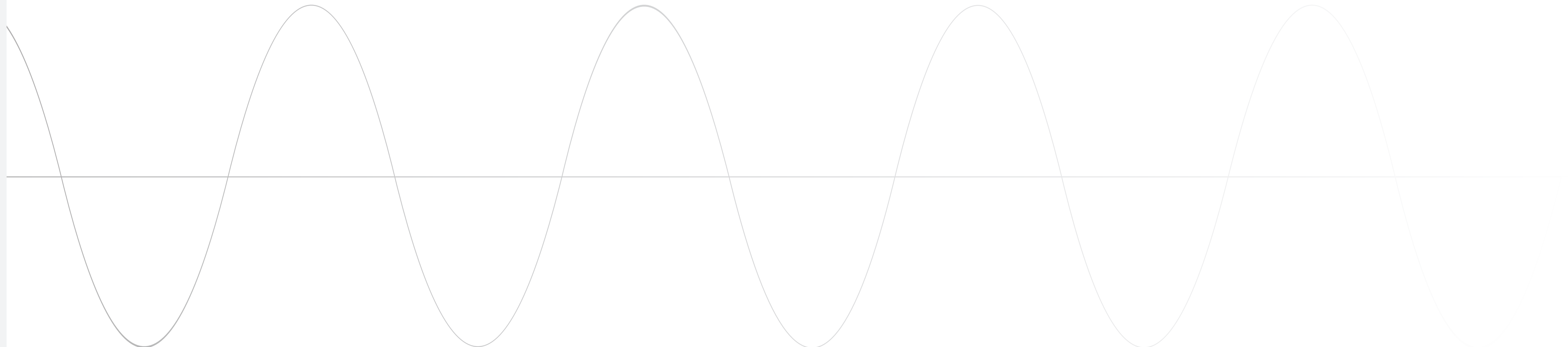
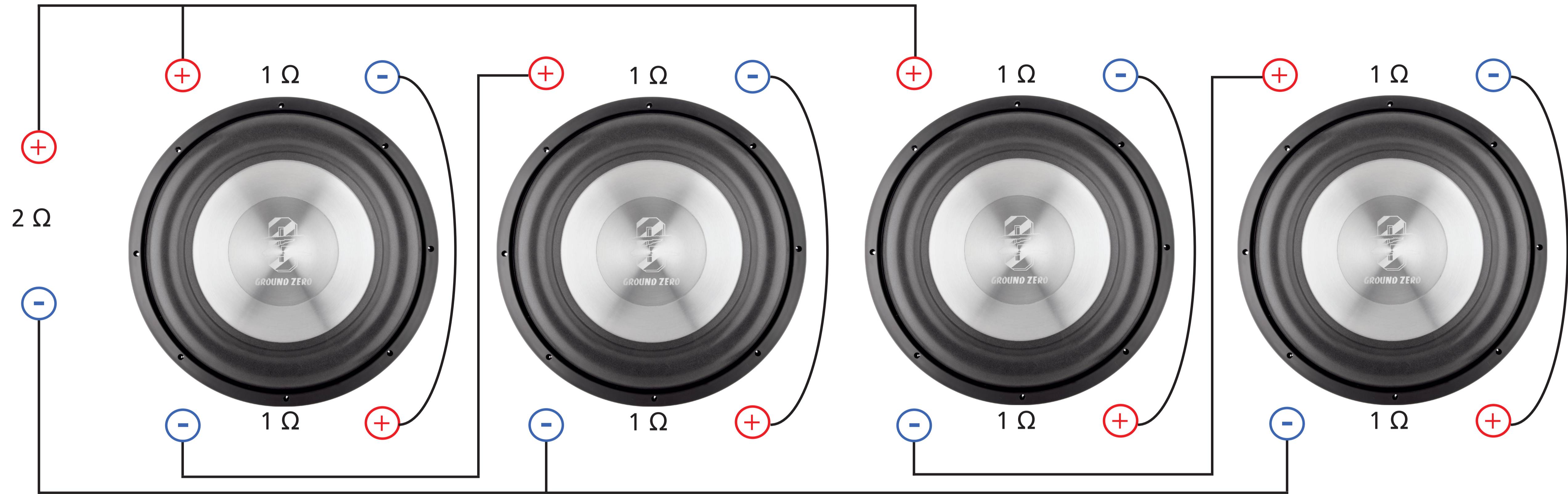
2 Ohm Doppelschwingspule / Dual voice coil  
= 4 Ohm



# WOOFER WIRING DIAGRAM

## 4 Woofer

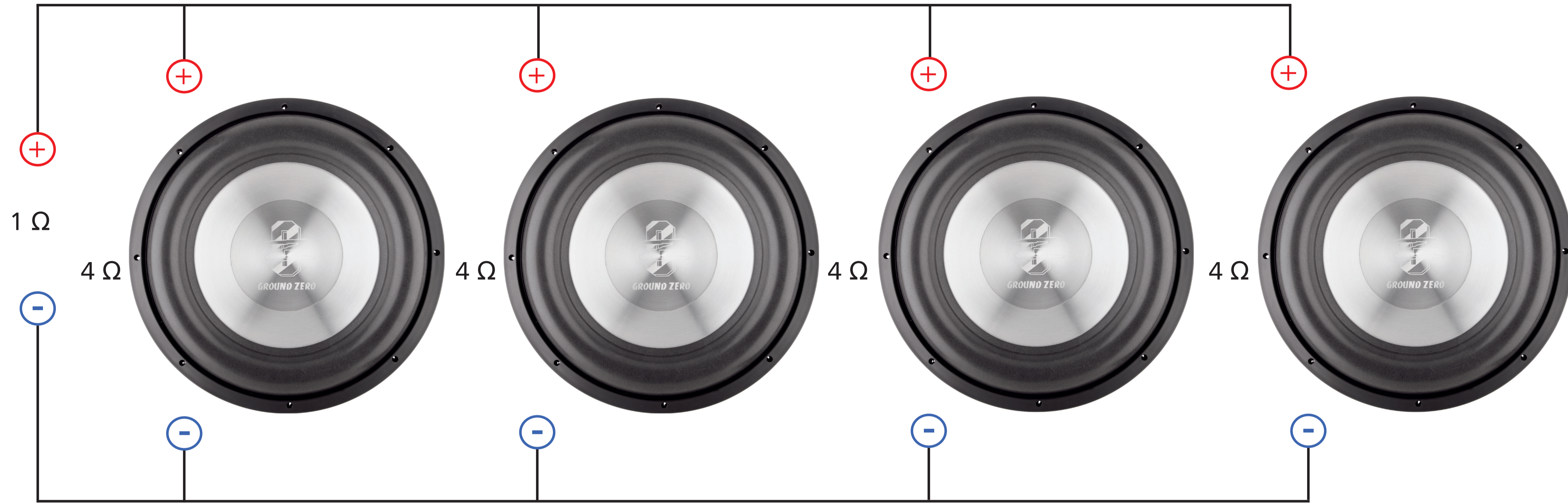
1 Ohm Doppelschwingspule / Dual voice coil  
= 2 Ohm



# WOOFER WIRING DIAGRAM

## 4 Woofer

4 Ohm Einzelschwingspule / Single voice coil  
= 1 Ohm



4 Ohm Einzelschwingspule / Single voice coil  
= 4 Ohm

