

Midrange speaker

GZUF 60SQX

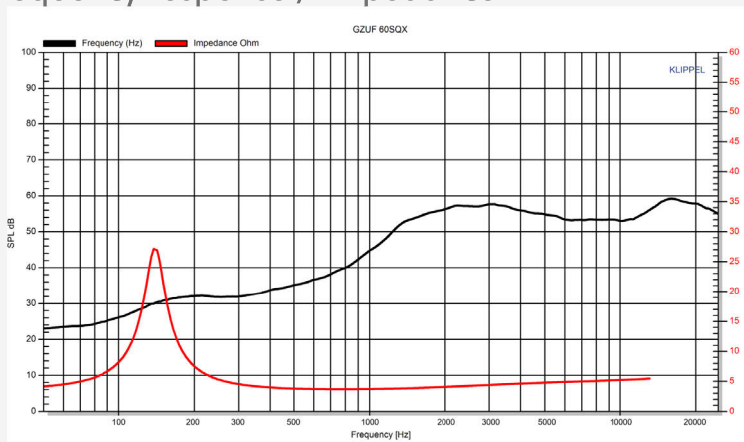


Main features

- High-Quality SQ midrange / full range loudspeaker
- Klippel® optimized
- Black anodized aluminum cone
- GZ-design fiber reinforced basket
- High-efficient, linearized neodymium motor
- Durable rubber surround
- Hexagon protection grill

Art.nr 32223011

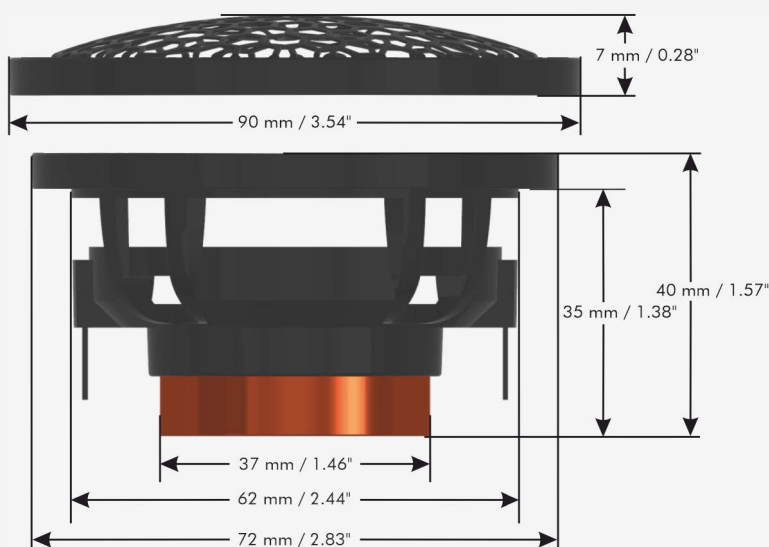
Frequency response / impedance



Audio parameters (TSP)

Efficiency (SPL)	84 dB (1 W / 1 m)
F_s	150 Hz
Q_{es}	0.74
Q_{ms}	5.12
Q_{ts}	0.64
V_{as}	0.5 L / 0.018 cu.ft.
M_{ms}	1.9 g
B_L	3.0 Tm
X_{max} (peak to peak)	4 mm / 0.16 inch
C_{ms}	0.38 mm/N
R_{ms}	0.3 kg/s
L_e	0.12 mH (@ 1kHz)
R_e	3.9 Ω
S_d	17.3 cm ² / 2.68 sqin

Dimensions



Specifications

Nominal diameter	60 mm / 2.36"
Frequency response	300 Hz – 20000 Hz
Magnet system	Linearized neodymium
Voice coil \varnothing	25 mm / 1"
Voice coil wire	Copper
Cone material	Anodized aluminum
Dust cap material	Anodized aluminum
Rec. high pass freq.	400 Hz (12 dB/oct.)
Rec. low pass freq.	depending
Speaker terminal	solder / plug
Impedance (nominal)	4 Ω
Max. power handling	80 Watts max.
Cont. power handling	50 Watts RMS
Protection grill	Hexagon style