

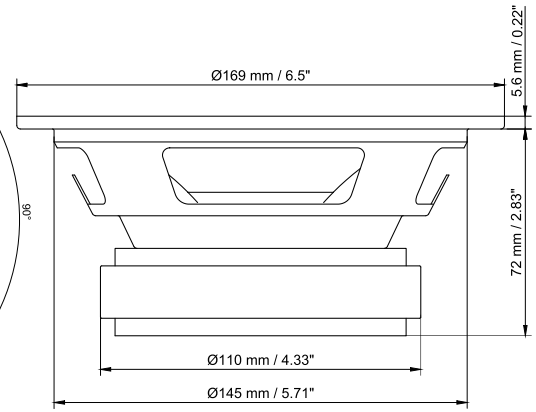
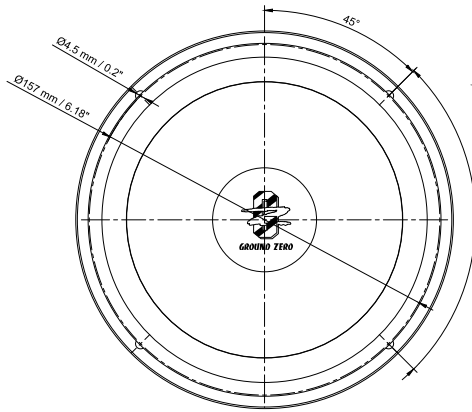
TECHNICAL DATA

GZCK 165XSPL-II

PRODUCT SERIES
COMPETITION

PRODUCT TYPE
High-Power Kickwoofer

PRODUCT NC
32328043



SPECIFICATIONS

Model	GZCK 165XSPL-II
Nominal impedance	4 Ω
Frequency response	50 Hz – 10 kHz
Efficiency (SPL)	93 dB
Voicecoil	38 mm / 1.5"
Power handling (RMS)	100 W
Power handling (max.)	250 W
Outer diameter	169 mm / 6.5"
Mounting cutout	145 mm / 5.71"
Mounting depth	72 mm / 2.83"

PARAMETERS

Resonance frequency	57 Hz
Re	3.3 Ω
Qms	9.12
Qes	0.32
Qts	0.31
Vas	16,2 L / 0.57 cu.ft.
Mms	12.7 g
BL	6.9 Tm
Rms	0.48 Kg/s
Cms	0.62 mm/N
LE	0.29 mH

FREQUENCY RESPONSE / IMPEDANCE

