

# GROUND ZERO<sup>®</sup>

## GERMAN ENGINEERING

### Datasheet

GZHW 25SPL



**GROUND ZERO** GmbH – Erlenweg 25, 85658 Eggenmating, Germany



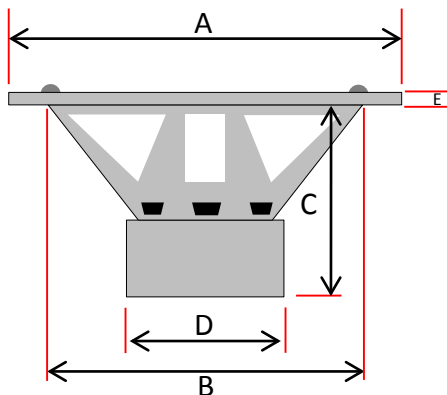
GroundZeroAudioCom

[www.ground-zero-audio.com](http://www.ground-zero-audio.com)  
[info@ground-zero-audio.com](mailto:info@ground-zero-audio.com)

## TECHNICAL SPECIFICATIONS

Product name	GZHW 25SPL	Gasket material	Foam
Product type	Subwoofer driver	Terminal type	Black-chromed push terminal
Outer diameter	272 mm / 10.71"	Power handling	2500 WSPL (1200 WRMS)*
Mounting diameter	240 mm / 9.45"	Impedance	2x 1 ohms
Mounting depth	155 mm / 6.10"	$R_{e(Serial)}$	1.92 ohms
Magnet dimension	(3x) 170 x 20 mm	$R_{es}$	29.45 ohms
Total weight	10.9 kg	$F_s$	41.8 Hz
Voice coil diameter	63 mm / 2.5" round wire	$Q_{ms}$	7.98
Voice coil winding height	35 mm / 1.38"	$Q_{es}$	0.519
Voice coil wire material	Copper	$Q_{ts}$	0.487
Voice coil former material	Aluminum	$R_{ms}$	8.805 kg/s
Top plate / height	10 mm / 0.39"	$C_{ms}$	0.054 mm/N
Linear excursion (one direction)	14 mm / 0.55"	$M_{ms}$	267.6 gr
Effective Xmax	45 mm / 1.77"	BL	16.1 N/A
Top Plate and T-Yoke color	Black machined	SPL (1w/1m)	83.0 dB
Basket material	Aluminum cast	$V_{AS}$	8.53 L / 0.3 cu.ft
Basket color	Yellow	$L_e$	1.92 mH
Spider material	(2x) progressive POLYCOT	$S_d$	333,29 cm <sup>2</sup>
Surround type	High-roll sandwich foam	Recommended frequency range	10 – 100 Hz
Cone material	Reinforced paper	Recommended amplifier power	800 – 2500 WRMS (@ 2 / 0.5 ohms)
Dustcap material	Convex IMPP with 3-D logo		
Magnet cover	PVC		

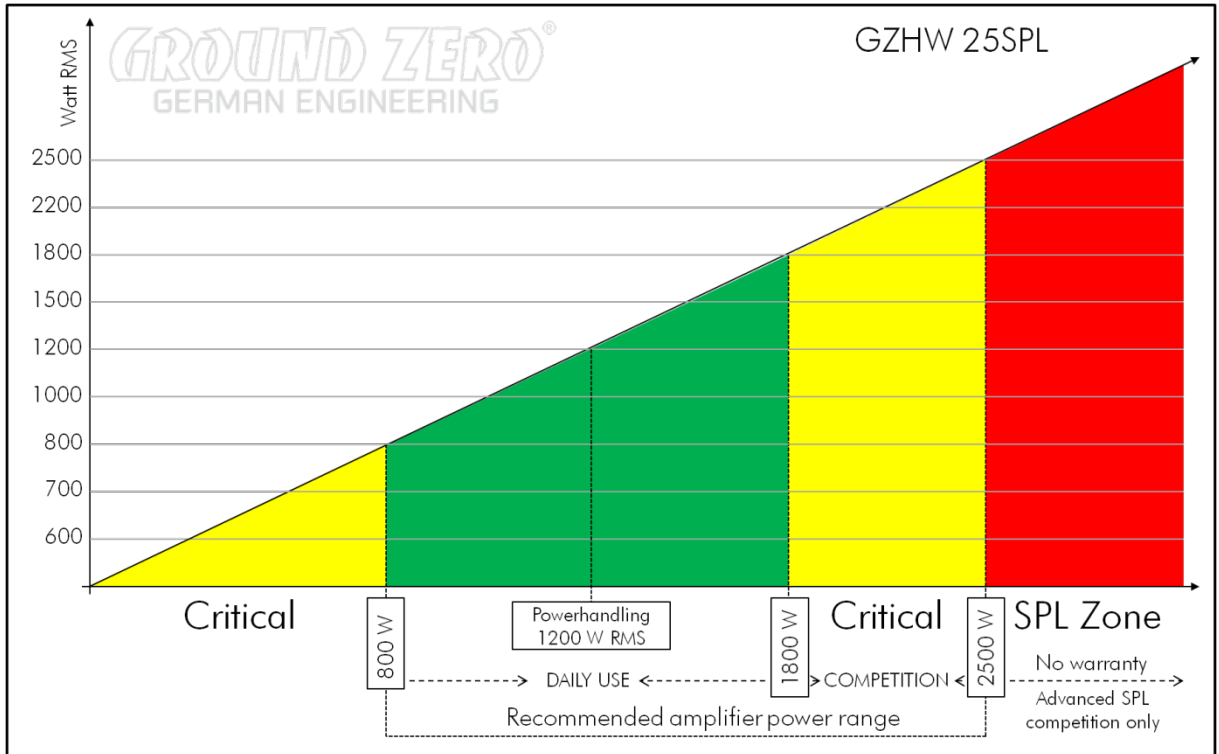
\* max. power handling is only for recommended enclosure applicable



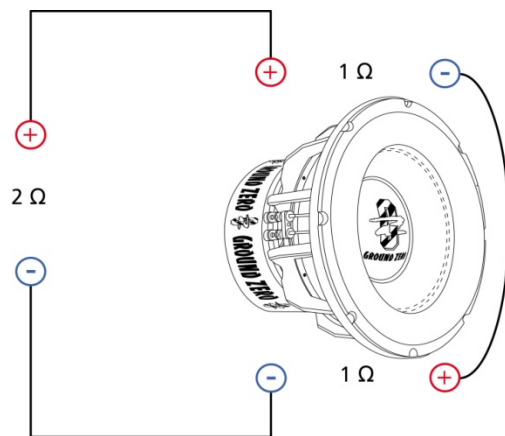
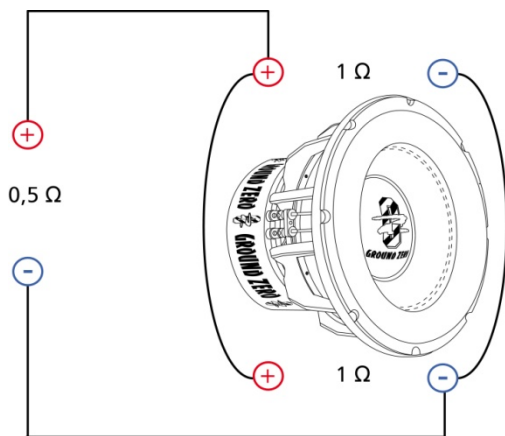
A	272 mm / 10.71"
B	240 mm / 9.45"
C	155 mm / 6.1"
D	175 mm / 6.89"
E	10 mm / 0.39"



## POWER RECOMMENDATION



## WIRING OPTIONS



## ENCLOSURE RECOMMENDATION

<b>Bassreflex / vented</b> (Grün / green)	40 Liter netto / 1.412 cu.ft. net <b>Recommended enclosure !</b>
Port (dimensions)	100 mm / 4"
Portlänge / port length	250 mm / 9.84"
F <sub>3</sub> (-3 dB)	34 Hz

<b>Bandpass 4<sup>th</sup> order</b> (Blau / blue)	14 Liter netto geschlossen / 0.49 cu.ft. net sealed 28 Liter netto ventiliert / 0.99 cu.ft. net vented <b>limited frequency range</b>
Port (diameter)	100 mm / 4"
Portlänge / port length	180 mm / 7.09"
F <sub>b</sub> (tuning frequency)	58 Hz
Bandbreite / bandwidth (-3dB)	37 – 87 Hz

<b>Geschlossen / sealed</b> (rot / red)	20 Liter netto / 0.706 cu.ft. net
Q <sub>tc</sub> / F <sub>3</sub> (-3 dB)	0.58 / 63 Hz

<b>Geschlossen / sealed</b> (violett / violet)	7 Liter netto / 0.247 cu.ft. net <b>Minimum enclosure volume</b>
Q <sub>tc</sub> / F <sub>3</sub> (-3 dB)	0.73 / 60 Hz

