

GROUND ZERO[®]

GERMAN ENGINEERING

Datasheet

GZHW 30SPL (incl. Color Editions)



GROUND ZERO GmbH – Erlenweg 25, 85658 Egmating, Germany



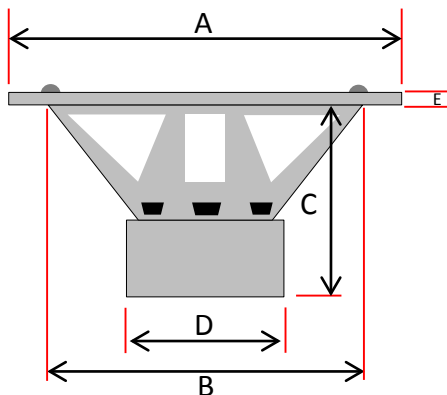
GroundZeroAudioCom

www.ground-zero-audio.com
info@ground-zero-audio.com

TECHNICAL SPECIFICATIONS

Product name	GZHW 30SPL	Gasket material	Foam
Product type	Subwoofer driver	Terminal type	Black-chromed push terminal
Outer diameter	315 mm / 12.36"	Power handling	3000 WSPL (1500 WRMS)*
Mounting diameter	281 mm / 11.06"	Impedance	2x 1 ohms
Mounting depth	176 mm / 6.93"	R_e	2 ohms
Magnet dimension	(3x) 180 x 20 mm	R_{es}	22.39 ohms
Total weight	14.5 kg	F_s	35.4 Hz
Voice coil diameter	75 mm / 3" round wire	Q_{ms}	5.54
Voice coil winding height	40 mm / 1.57"	Q_{es}	0.48
Voice coil wire material	Copper	Q_{ts}	0.44
Voice coil former material	Aluminum	R_{ms}	15.884 g/s
Top plate / height	12 mm / 0.47"	C_{ms}	0.051 mm/N
Linear excursion (one direction)	14 mm / 0.55"	M_{ms}	395.1 gr
Effective Xmax	45 mm / 1.77"	BL	18.86 N/A
Top Plate and T-Yoke color	Black machined	SPL (1w/1m)	85 dB
Basket material	Aluminum cast	V_{AS}	15.8 L / 0.56 cu.ft
Basket color	Yellow (Standard Edition)	L_e	2.27mH
Spider material	(2x) progressive POLYCOT	S_d	467.59 cm ²
Surround type	High-roll sandwich foam	Recommended frequency range	35 – 80 Hz
Cone material	Reinforced paper	Recommended amplifier power	1000 – 3000 WRMS (@ 2 / 0.5 ohms)
Dustcap material	Konvex IMPP with 3-D logo		
Magnet cover	PVC		

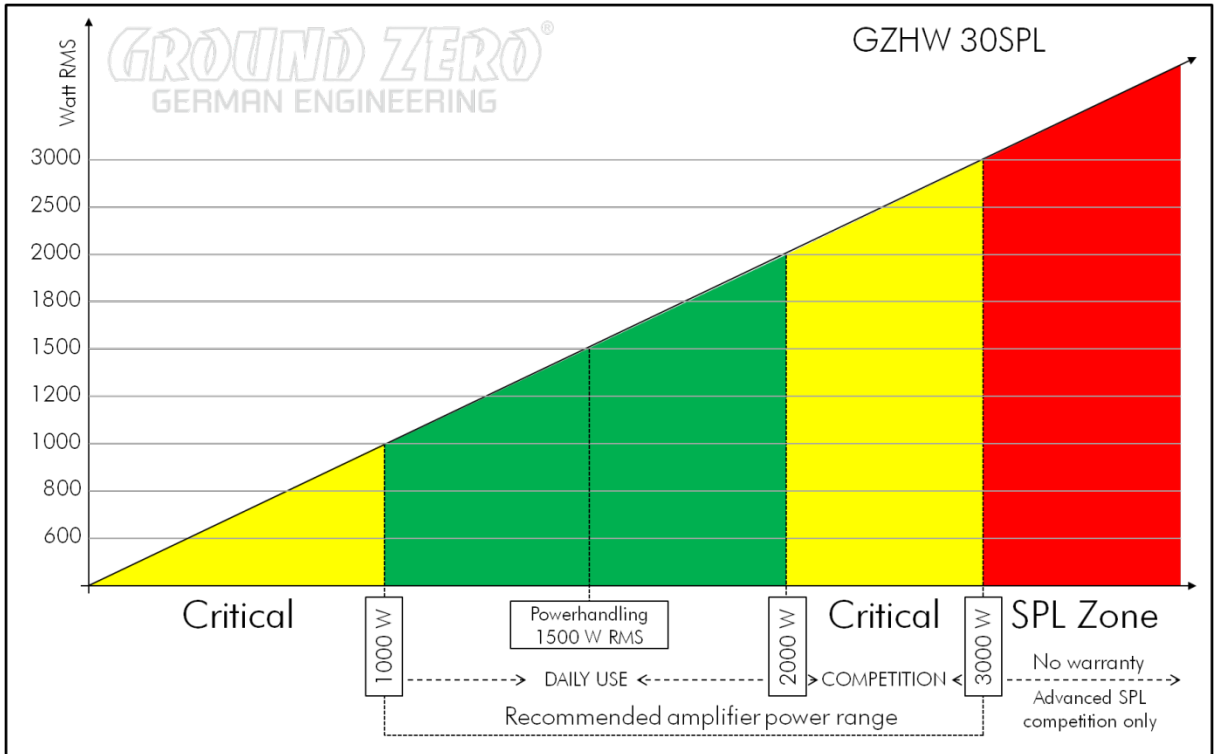
* max. power handling is only for recommended enclosure applicable



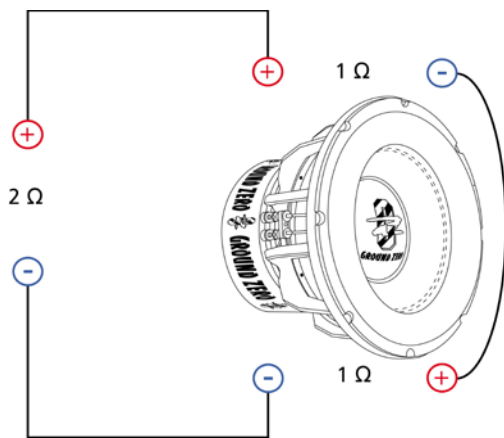
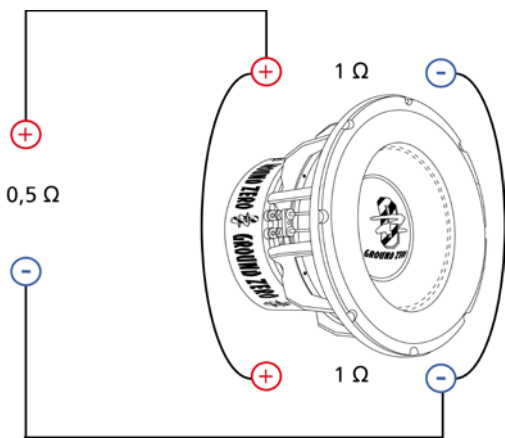
A	315 mm / 12.4"
B	284 mm / 11.18"
C	198 mm / 7.8"
D	190 mm / 7.48"
E	10 mm / 0.39"



POWER RECOMMENDATION



WIRING OPTIONS



ENCLOSURE RECOMMENDATION

Bassreflex / vented (Grün / green)	90 Liter netto / 3.18 cu.ft. net Recommended enclosure !
Port (dimensions)	40 x 250 mm / 1.57 x 9.84"
Portlänge / port length	285 mm / 8"
F ₃ (-3 dB)	25 Hz

Bassreflex / vented (Orange / orange)	50 Liter netto / 1.77 cu.ft. net Limited power handling ! max. 1000 WRMS
Port (diameter)	1 x 100 mm / 1 x 3.15"
Portlänge / port length	290 mm / 11.42"
F ₃ (-3 dB)	30 Hz

Bandpass 4th order (Blau / blue)	23 Liter netto geschlossen / 0.81 cu.ft. net sealed 46 Liter netto ventiliert / 1.62 cu.ft. net vented limited frequency range
Port (diameter)	2 x 100 mm / 2 x 4"
Portlänge / port length	300 mm / 11.81"
F _b (tuning frequency)	52 Hz
Bandbreite / bandwidth (-3dB)	34 – 78 Hz

Geschlossen / sealed (Rot / red)	18 Liter netto / 0.64 cu.ft. net Limited power handling ! max. 1000 WRMS
Q _{tc} / F ₃ (-3 dB)	0.63 / 57 Hz

