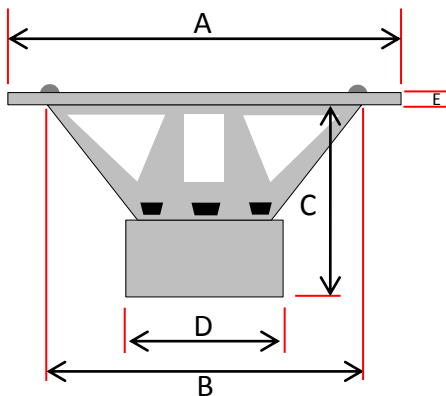




TECHNICAL SPECIFICATIONS

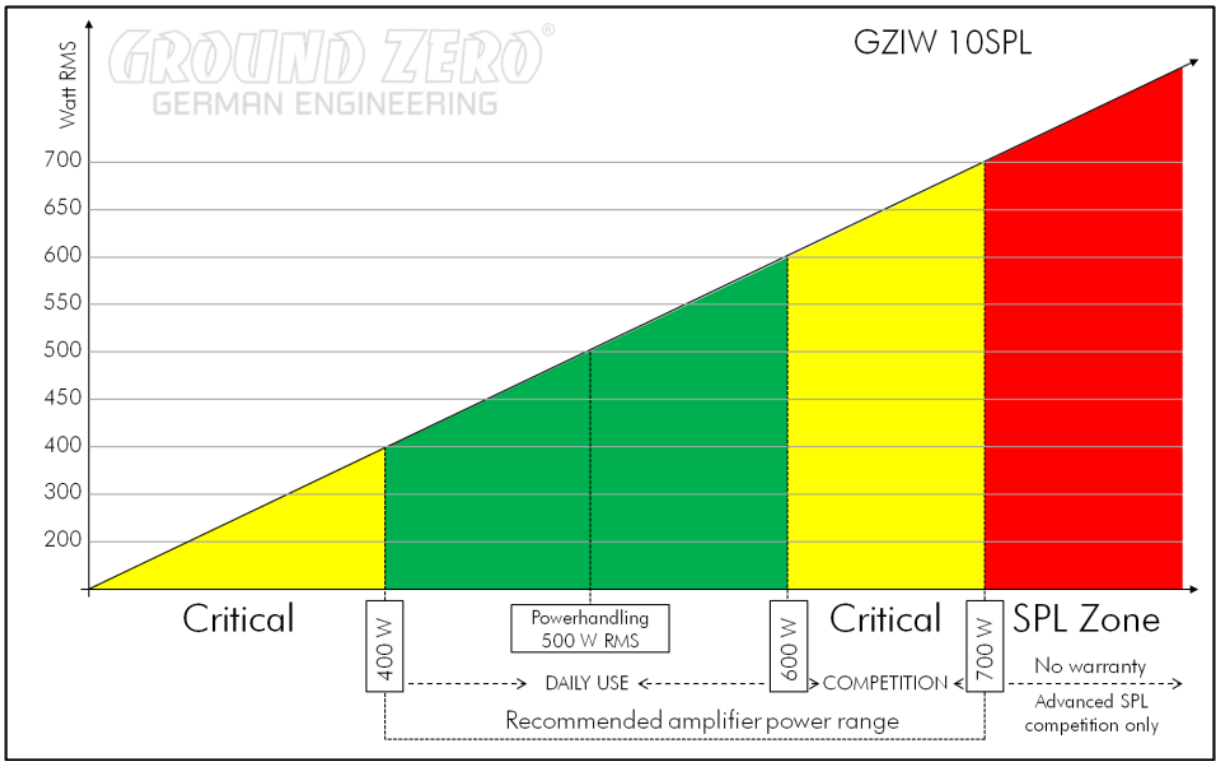
Product name	GZIW 10SPL	Gasket	Foam
Product type	Subwoofer chassis	Terminal	Chrome Push terminal
Diameter	257 mm / 10.12"	Power handling	700 W SPL Power (500 WRMS)
Mounting diameter	230 mm / 9.06"	Impedance	2 x 2 Ohm
Mounting depth	147 mm / 5.79"	Re	3.86 Ohm
Magnet dimension	2 x 145 x 20 mm	Res	29.21 Ohm
Total weight	5.9 KG	FS	40.8 Hz
Voice coil diameter	63 mm / 2.5" Round Wire	Qms	5.31
Voice coil winding height	30 mm / 1.18"	Qes	0.70
Voice coil wire material	Copper	Qts	0.62
Voice coil former material	Aluminium	Rms	8.74 kg/s
Top plate height	8 mm / 0.315"	Cms	0.084 mm/N
Linear excursion (one direction)	11 mm / 0.433"	Mms	180.9 gr
Effective Xmax	25 mm / 0.98"	BL	16 N/A
Top Plate and T-Yoke color	Black	SPL	84 dB
Basket material	Steel	VAS	14.3 L / 0.505 cu.ft
Basket color	Yellow	Le	2.83 mH
Spider	2 layer Polycot / Connex	Recommended freq. response	40 – 120 Hz
Surround	V Shape High roll Foam	Recommended amplifier power	400 – 700 WRMS @ 4 Ohm / 1 Ohm
Cone	Reinforced Paper	Sound Quality	☺☺ (max. ☺☺☺☺☺☺)
Dustcap	Convex IMPP with 3D Logo	SPL Competition	☺☺☺ (max. ☺☺☺☺☺☺)
Magnetcover	PVC boot	Low bass performance 20-50Hz	☺☺ (max. ☺☺☺☺☺☺)
		Mid bass performance 50-80Hz	☺☺☺ (max. ☺☺☺☺☺☺)



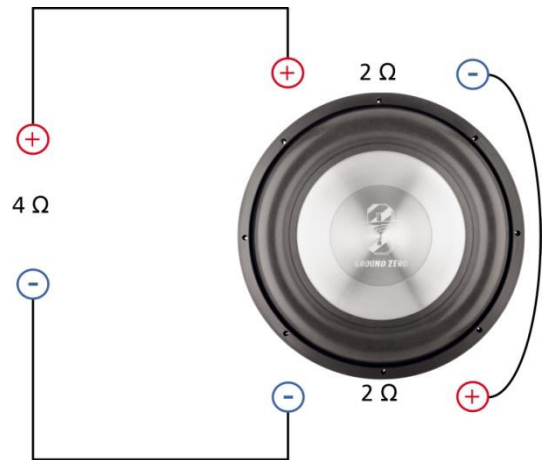
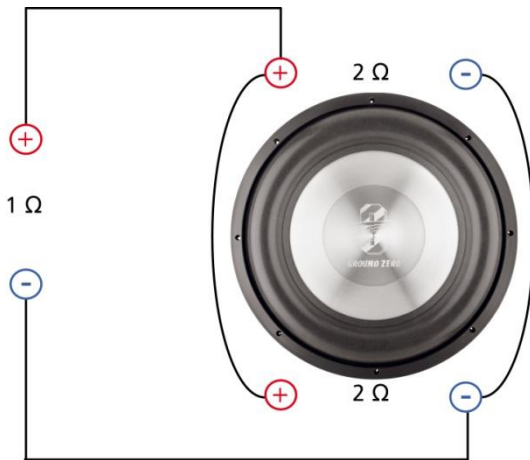
A	257 mm / 10.12"
B	230 mm / 9.06"
C	147 mm / 5.79"
D	150 mm / 5.9"
E	5 mm / 0.2"

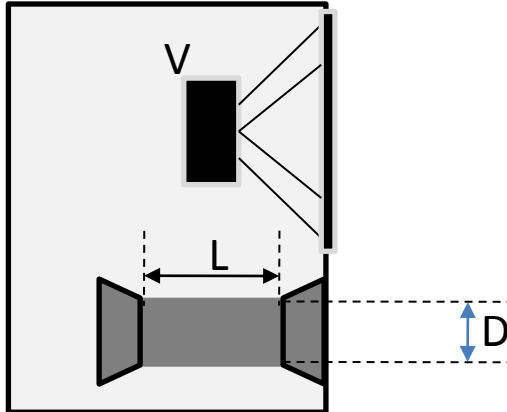


AMPLIFIER RECOMMENDATION



WIRING



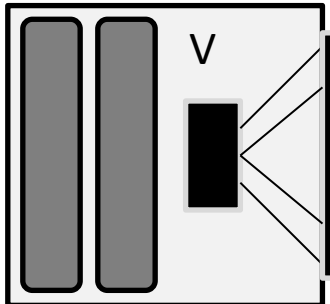
BOX RECOMMENDATION

Medium size vented box

V: 40 L / 1.57 cu.ft

D: 80 mm / 3.15"

L: *240 mm / 9.45"

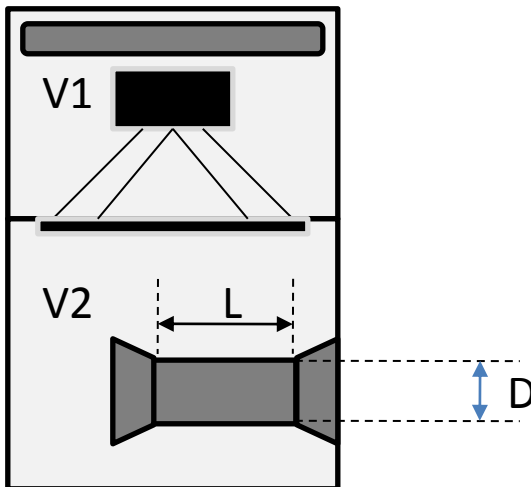
No damping


**Medium size sealed box ->
Free Air**

18 – ~500 L / 0.64 – 17.66 cu.ft

Qtc. 0.83 - 0.63

40 - 60% polyester wool


Medium size bandpassbox

V1: 16 L / 0.56 cu.ft

V2: 20 L / 0.71 cu.ft

D: 80 mm / 3.15"

L: *160 mm / 6.3 "

20% polyester wool in V1

No damping in V2

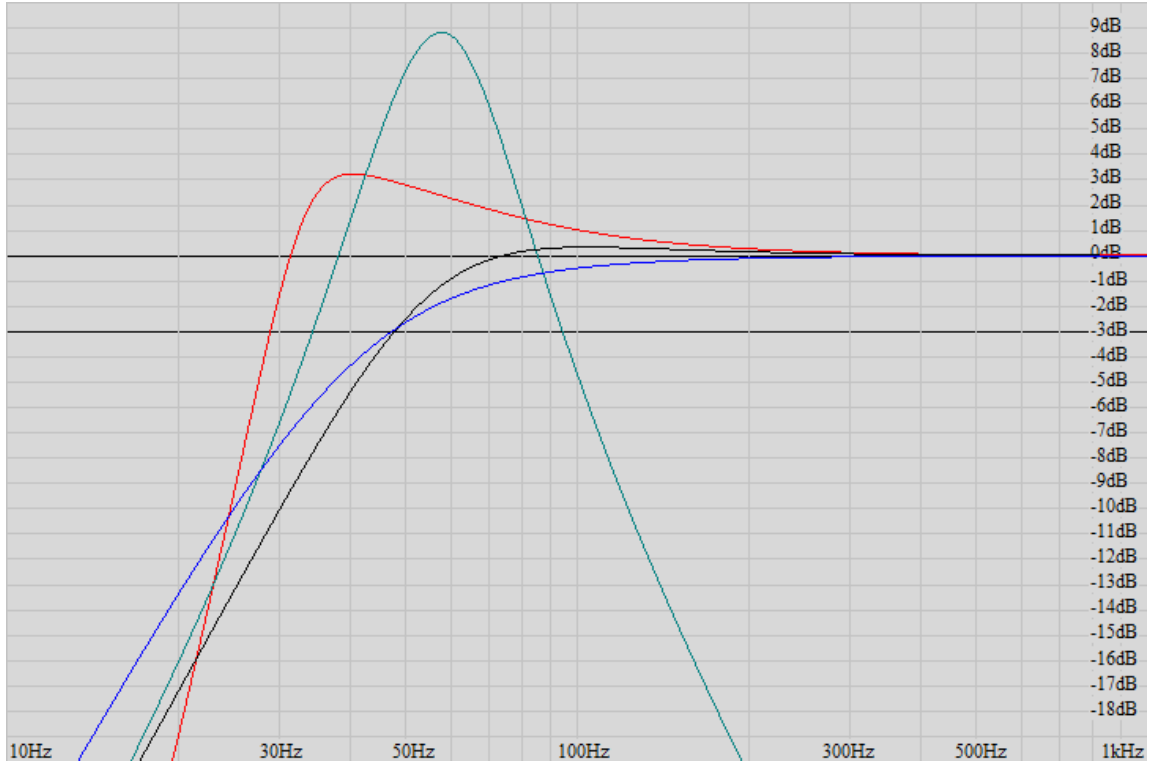
* Die hier aufgeführten Gehäusevorschläge sind nur einige, der möglichen Varianten.

Bitte beachten Sie zudem, dass die finale Abstimmung, speziell die Port Längen je nach Fahrzeug und eigenem Geschmack variiert werden sollte.

Above-mentioned enclosure recommendations are just a few possible variations.

Please note that you should find the perfect tuning, especially port length, based on your car and own taste.



BOX RECOMMENDATION


Curve	Type	Volume	F3/ Qtc
Red	Vented	40 L / 1.57cu.ft	34.6 Hz
Black	Sealed	18 L / 0.64 cu.ft	47.8 Hz / 0.83
Blue	Free Air	~ 500 L / 17.66 cu.ft	47.2 Hz / 0.63
Green	Bandpass 4th order	V1: 16 L / 0.56 cu.ft V2: 20 L / 0.71 cu.ft	Centerfreq. 57 Hz

* Die hier aufgeführten Gehäusevorschläge sind nur einige, der möglichen Varianten.

Bitte beachten Sie zudem, dass die finale Abstimmung, speziell die Port Längen je nach Fahrzeug und eigenem Geschmack variiert werden sollte.

Above-mentioned enclosure recommendations are just a few possible variations.

Please note that you should find the perfect tuning, especially port length, based on your car and own taste.

