

GROUND ZERO[®]

GERMAN ENGINEERING

Datasheet

GZNW 38NEO-SPL – SPL Competition Subwoofer



GROUND ZERO GmbH – Erlenweg 25, 85658 Egmating, Germany



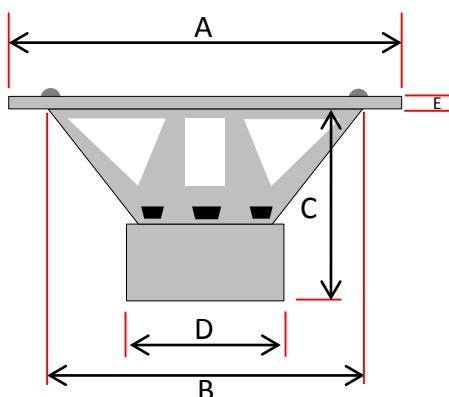
GroundZeroAudioCom

www.ground-zero-audio.com
info@ground-zero-audio.com

TECHNICAL SPECIFICATIONS

Product name	GZNW 38NEO-SPL	Gasket material	n/a
Product type	Competition SPL Subwoofer	Terminal type	(2x) 20 mm ² chromed push terminals
Magnet type	Neodymium	Power handling	2500 W RMS
Magnet construction	(13x) 20 x 20 x 54 mm / (13x) 0.79 x 0.79 x 2.13" concentric arrangement	Impedance	2x 1 ohm
Total weight	23.4 kg	R _{e (Serial)}	1.7 ohms
Voice coil diameter	75 mm / 3"	R _{es}	60.8 ohms
Voice coil winding height	66 mm / 2.6"	F _s	25.8 Hz
Voice coil wire material	8-layer aluminum (flat wire)	Q _{ms}	4.068
Voice coil former material	Aluminum	Q _{es}	0.114
Top plate / height	12 mm / 0.47"	Q _{ts}	0.111
Linear excursion (one direction)	32 mm / 1.26"	R _{ms}	29.142 g/s
Top Plate and T-Yoke color	Black	C _{ms}	0.052 N/mm
Basket material	Aluminum cast	M _{ms}	732.6 g
Basket color	Yellow	BL	42.1 N/A
Spider material	Nomex	SPL (1w/1m)	91 dB
Surround type	U-shape SPL foam	V _{AS}	50.8 L / 1.794 cu.ft
Cone material	Reinforced paper	L _e	4.586 mH
Dustcap material	PVC with 3-D logo	S _d	855.3 cm ² / 132.57 sq.in
		Recommended amplifier power	1500 – 3500 Watts RMS
		Max. amplifier power*	5000 Watts RMS* (competition use)

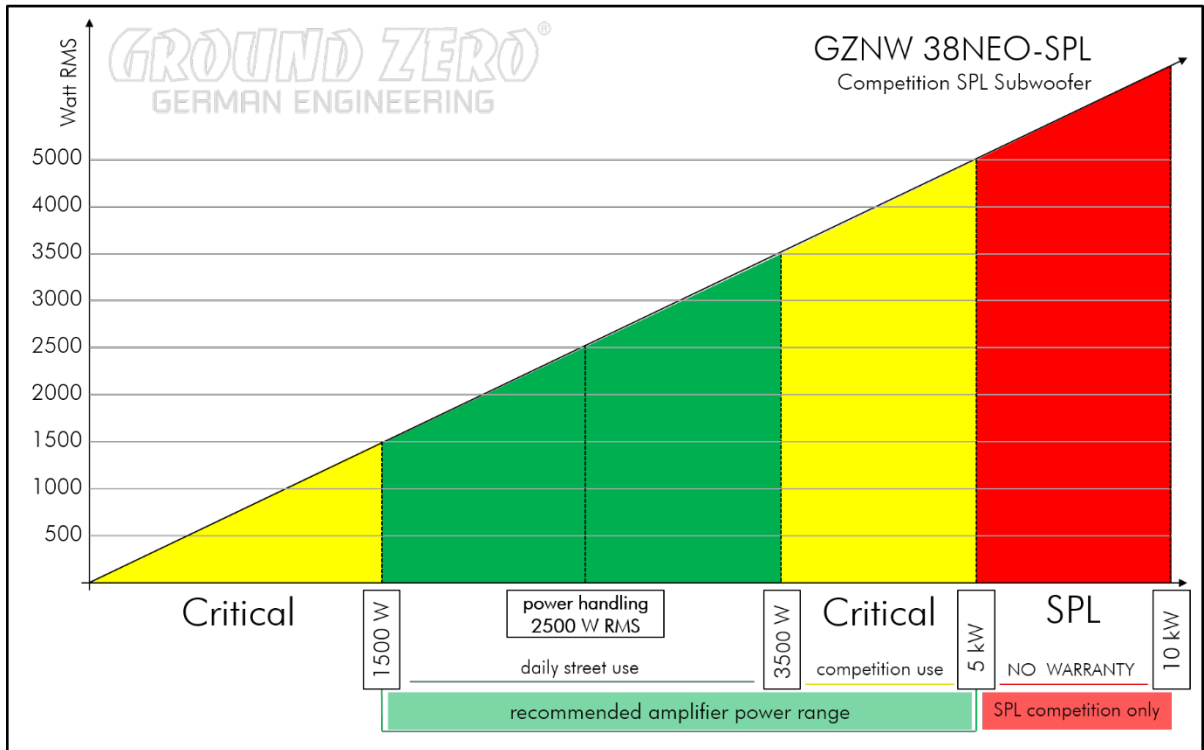
* max. power handling is for correctly calculated enclosure applicable only



	Metric	Customary
A	391 mm	15.39"
B	358 mm	14.09"
C	300 mm	11.81"
D	200 mm	7.87"
E	11 mm	0.43"



POWER RECOMMENDATION



WIRING OPTIONS

