

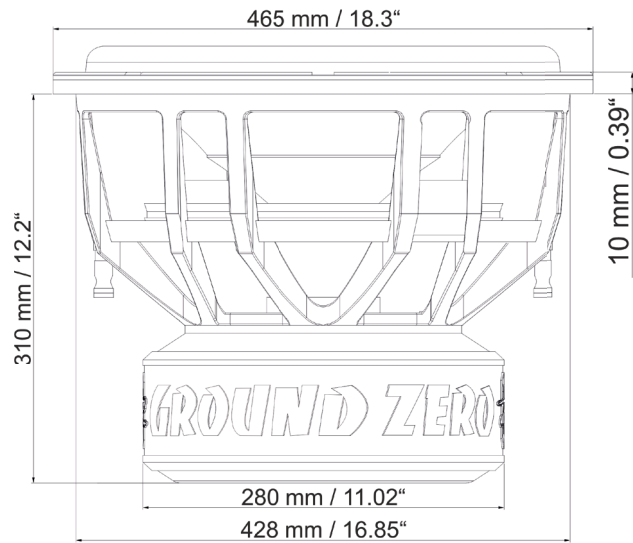
TECHNICAL DATA

GZPW 18C

PRODUCT SERIES
PLUTONIUM

PRODUCT TYPE
High Power Subwoofer

PRODUCT NC
51321000



SPECIFICATIONS

Model	GZPW 18C
Nominal impedance	2 x 1 Ω
Efficiency (SPL)	88 dB
Voicecoil	75 mm / 3"
Power handling (RMS)	6000 W
Cone	Carbon
Xmax (p2p)	80 mm / 3.15"
Outer diameter	465 mm / 18.3"
Mounting cutout	428 mm / 16.85"
Mounting depth	310 mm / 12.2"

PARAMETERS

Resonance frequency	34 Hz
Re	1.51 Ω
Qes	0.39
Qts	0.38
Vas	29.44 L / 1.03 cu.ft.
Mms	1344 g
BL	34.25 Tm
Rms	-
Cms	-
LE	2.51 mH
Sd	1195 cm ²