

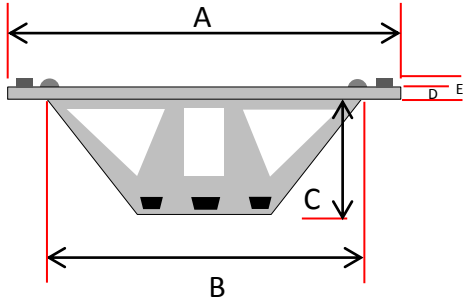


## TECHNICAL SPECIFICATIONS

	<b>GZRW 8FL</b>
Cone (Dome)	IMPP
Cone color	Black
Surround	High-roll foam
Dustcap	Aluminum
Basket / Frame material	Steel
Basket / Frame color	Black
Terminal	Zinc-plated soldering terminal
Magnet	1 x Neo 70 x 10 mm (2.76" x 0.4")
Voice coil	36 mm / 1.42" copper round wire
Voice coil former	Kapton
RE	1.6 Ohm
SPL	85 dB
FS	45.3 Hz
QMS	12.224
QES	1.016
QTS	0.938
VAS	17.6L / 0.62 cu.ft
MMS	45.317 Gr
BL	4.5 N/A
RMS	1.055 kg/s
CMS	0.273 mm/N
LE	0.232 mH
Linear excursion	+/- 7 mm / 0.276"
X max	14 mm / 0.55"
Frequency response	30 Hz – 600 Hz
Powerhandling	150 / 250 W
Outer diameter	204 mm / 8.03"
Mounting diameter	178 mm / 7.01"
Mounting depth	55 mm / 2.17"

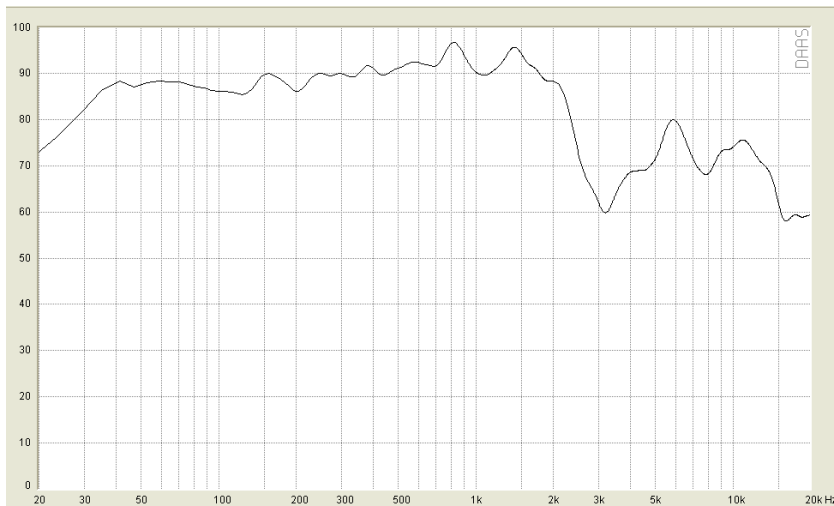


DIMENSIONS



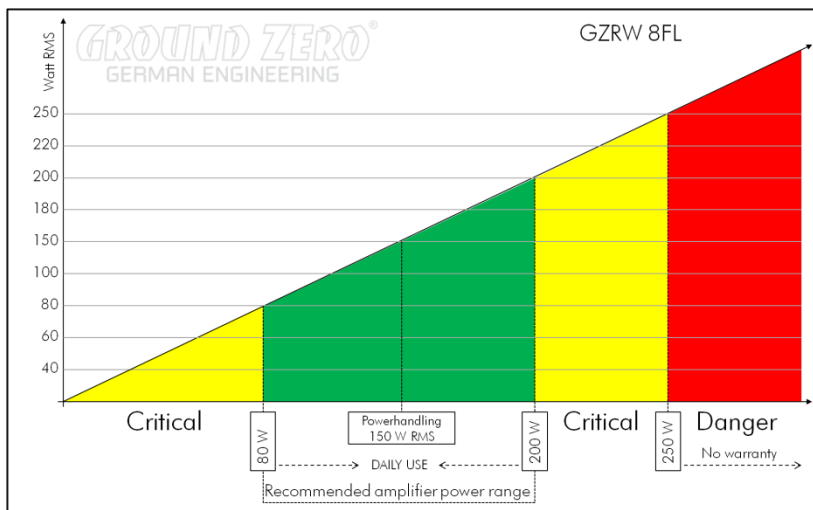
A	204 mm / 8.03"
B	178 mm / 7.01"
C	55 mm / 2.17"
D	5.5 mm / 0.22"
E	8 mm / 0.31"

FREQUENCY RESPONSE

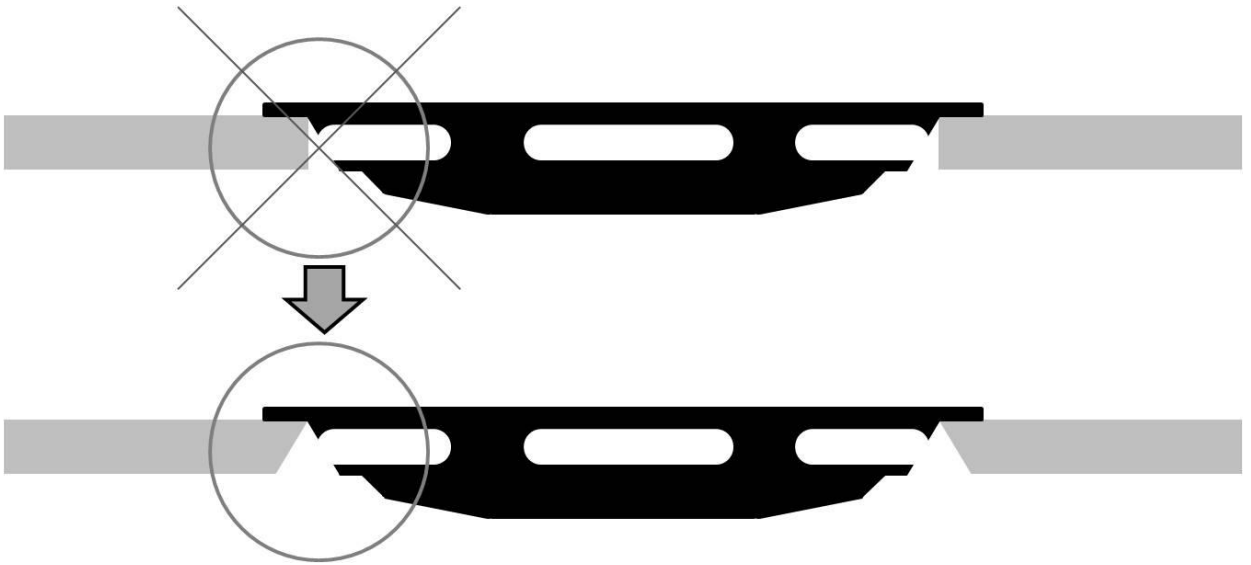


In 70 liter geschlossen mit 30 cm Mikrofonabstand auf Achse gemessen /  
Measured on axis in 70 liter ( 2.47 cu.ft. ) with 30 cm / 12" microphone distance

POWER RECOMMENDATION



## INSTALLATION



## INSTALLATION RECOMMENDATION

Perfect for 3 Way setups with front and parcel shelf installation in:

Mercedes  
Porsche  
Volkswagen  
Audi  
BMW (Underseat)  
MINI (Underseat)  
Rolls Royce (Underseat)

and all other cars with 20 cm / 8" front and rear speakers.



## ENCLOSURE RECOMMENDATION

<b>Free Air</b>	60 – 350 Liter netto / 2.12 – 12.36 cu.ft. net
Minimum Volume (Schwarz / Black)	60 Liter netto / Min. 2.12 cu.ft. net Türmontage / Door installation
Qtc / F3	1.05 / 39 Hz
Maximum Volume (Blau / Blue)	350 Liter netto / Max. 12.36 cu.ft. net Heckablagenmontage / Parcel shelf installation
Qtc / F3	0.96 / 37 Hz

