

GROUND ZERO[®]

GERMAN ENGINEERING

Datasheet

GZTW 12F



GROUND ZERO GmbH – Erlenweg 25, 85658 Eggenstein, Germany



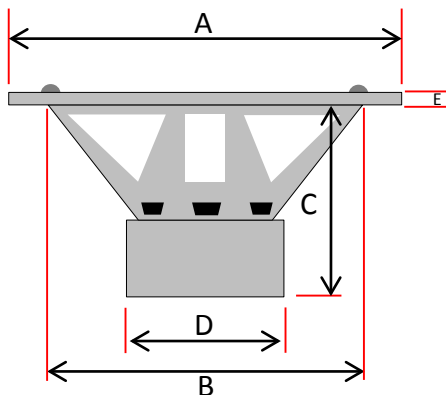
GroundZeroAudioCom

www.ground-zero-audio.com
info@ground-zero-audio.com

TECHNICAL SPECIFICATIONS

Product name	GZTW 12F	Gasket material	Rubber
Product type	Flat subwoofer driver	Terminal type	Black-chromed push terminal
Outer diameter	313 mm / 12.32"	Power handling	350 Watts RMS
Mounting diameter	284 mm / 11.18"	Impedance	2x 2 ohms
Mounting depth	97.5 mm / 3.84"	$R_{e(Serial)}$	4.0 ohms
Magnet dimension	156x22.5 mm / 4.16x0.89"	R_{es}	51.50 ohms
Total weight	5.4 kg	F_s	35.1 Hz
Voice coil diameter	50 mm / 2" round wire	Q_{ms}	7.489
Voice coil wire material	Copper	Q_{es}	0.566
Voice coil former material	Aluminum	Q_{ts}	0.526
Top plate / height	7 mm / 0.28"	Rms	4685 g/s
Linear excursion (one direction)	14 mm / 0.55"	Cms	0.129 mm/N
Effective Xmax	30 mm / 1.18"	Mms	159 g
Top Plate and T-Yoke color	Black	BL	15.5 N/A
Basket material	Steel	SPL (1w/1m)	89 dB
Basket color	Black hammered effect	V_{AS}	53.15 L / 1.88 cu.ft
Surround type	High-roll rubber	L_e	1.993 mH
Cone material	IMPP	S_d	572.5 cm ² / 88.74 sqin
Dustcap material	Concave aluminum with logo	Recommended frequency range	35 – 110 Hz
Magnet cover	PVC	Recommended amplifier power	200 – 500 WRMS (@ 4 / 1 ohms)

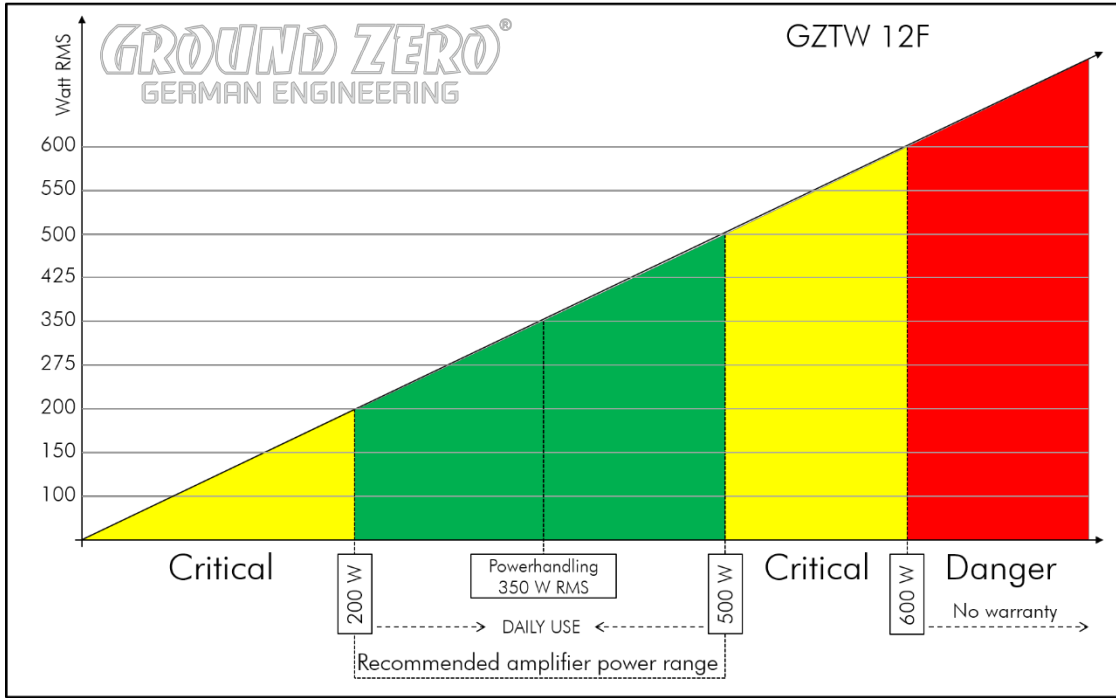
* max. power handling is only for recommended enclosure applicable



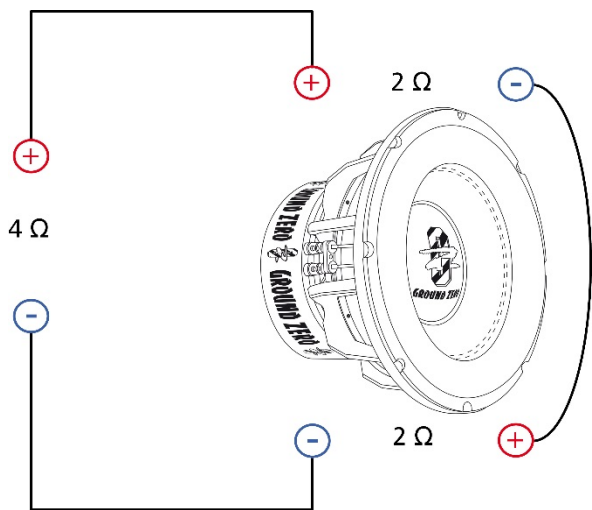
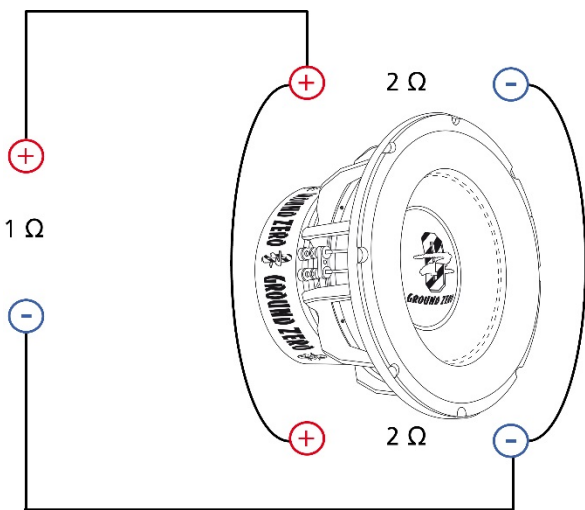
A	313 mm / 12.32"
B	284 mm / 11.18"
C	97.5 mm / 3.84"
D	170 mm / 6.69"
E	5 mm / 0.20"



POWER RECOMMENDATION



WIRING OPTIONS



ENCLOSURE RECOMMENDATION

Bassreflex / vented (Grün / green)	22 Liter netto / 0.78 cu.ft. net Recommended enclosure !
Port (dimensions)	100 mm / 4"
Portlänge / port length	420 mm / 16.54"
F ₃ (-3 dB)	48 Hz

Bandpass 4th order (Blau / blue)	30 Liter netto geschlossen / 1.06 cu.ft. net sealed 30 Liter netto ventiliert / 1.06 cu.ft. net vented
Port (diameter)	100 mm / 4"
Portlänge / port length	150 mm / 5.90"
F _b (tuning frequency)	59 Hz
Bandbreite / bandwidth (-3dB)	36 – 98 Hz

Geschlossen / sealed (Rot / red)	40 Liter netto / 1.41 cu.ft. net
Q _{tc} / F ₃ (-3 dB)	0.80 / 50 Hz

Geschlossen / sealed (Rot / red)	25 Liter netto / 0.88 cu.ft. net Minimum enclosure volume
Q _{tc} / F ₃ (-3 dB)	0.91 / 53 Hz

